



# Cutting, Notching & Boring

10801 Town Square Drive NE, Blaine MN 55449

**Building Inspections Department**

phone: 763-785-6170 | fax: 763-785-6111 | [BlaineMN.gov](http://BlaineMN.gov)

This handout is intended only as a guide and is based in part on the 2020 Minnesota State Building Code, Blaine City ordinances, and good building practice. While every attempt has been made to insure the correctness of this handout, no guarantees are made to its accuracy or completeness. Responsibility for compliance with applicable codes and ordinances falls on the owner or contractor. For specific questions regarding code requirements, refer to the applicable codes or contact your local Building Department.

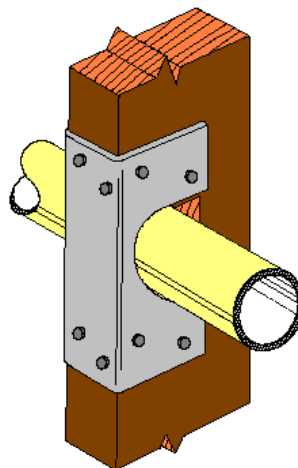
The purpose of this handout is to provide the details for notching and boring wood studs, joists, and plates. For cutting, notching and boring trusses and manufactured lumber such as laminated veneer lumber, the manufacturer's installation constructions should be consulted.

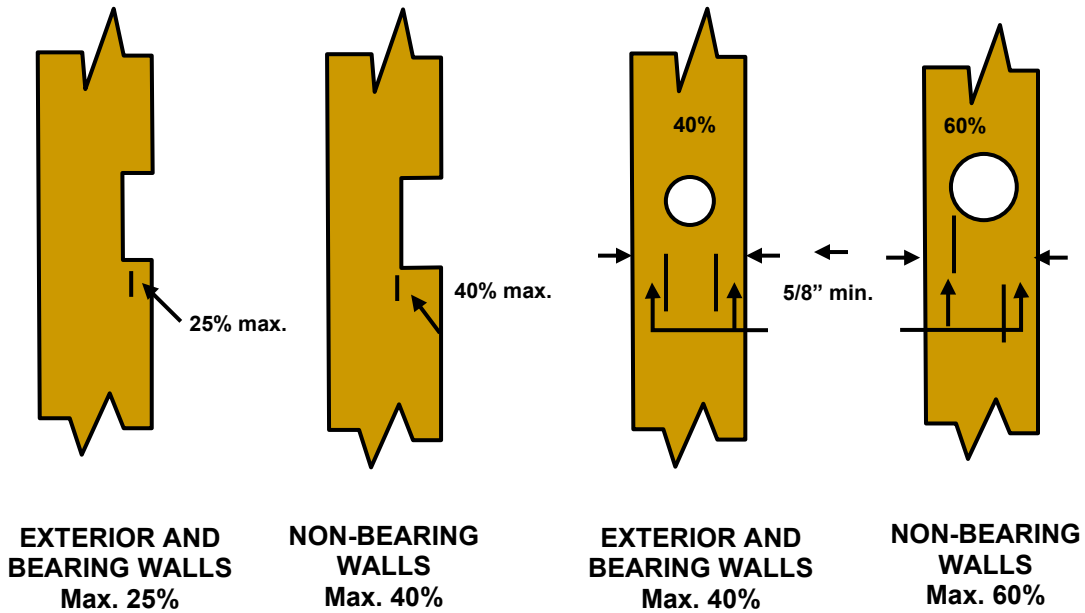
NOTCHING AND BORING WOOD STUDS <sup>2</sup>				
	Maximum Diameter of Hole	Distance From Hole to Edge of Stud	Location	Maximum Depth of Cut or Notch
Bearing/Exterior Studs <sup>1</sup>	40% of Stud Width	5/8" Minimum	Not same section as cut or notch	25% of Width of Stud
Interior Nonbearing Studs	60% of Stud Width	5/8" Minimum	Not same section as cut or notch	40% of Width of Stud

<sup>1</sup> **Exterior or bearing studs** may be bored or drilled provided that the diameter of the resulting hole is not greater than 60 percent of the stud width and provided that the studs are doubled and not more than two successive studs are bored, the edge of the hole is no closer than 5/8 inch to the edge of the stud, and the hole is not located in the same section as a cut or notch.

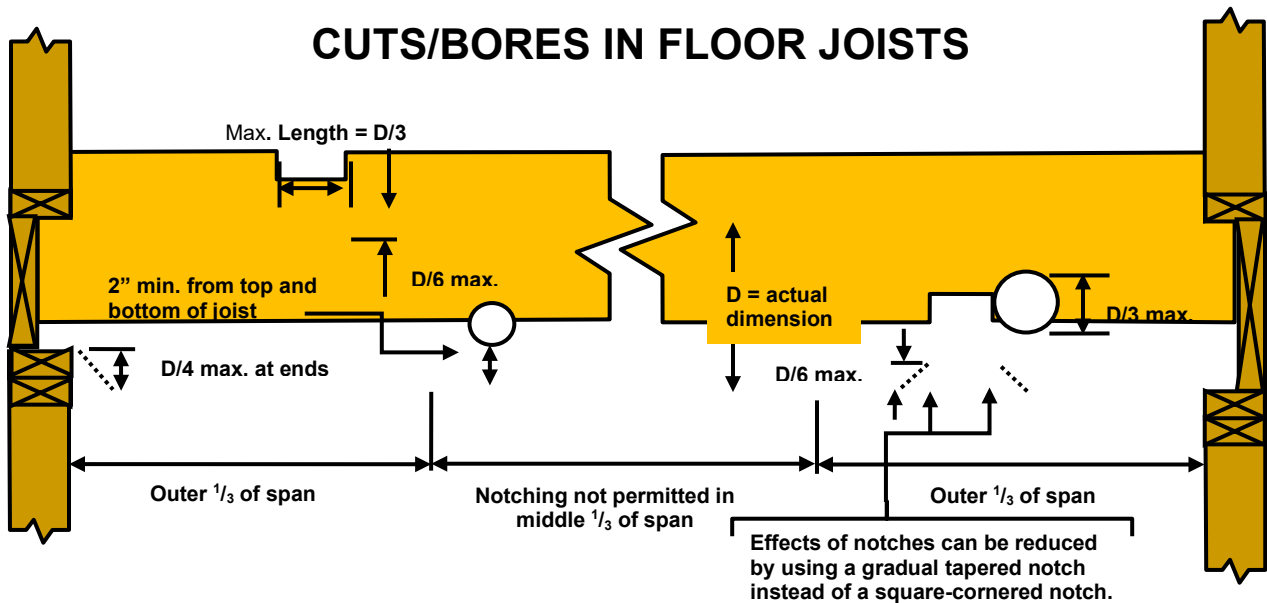
<sup>2</sup> Approved stud shoes may be used when installed in accordance with the manufacturer's recommendations.

**STUD SHOE MAY BE REQUIRED IF NOTCH OR HOLE EXCEEDS MAXIMUM ALLOWED**



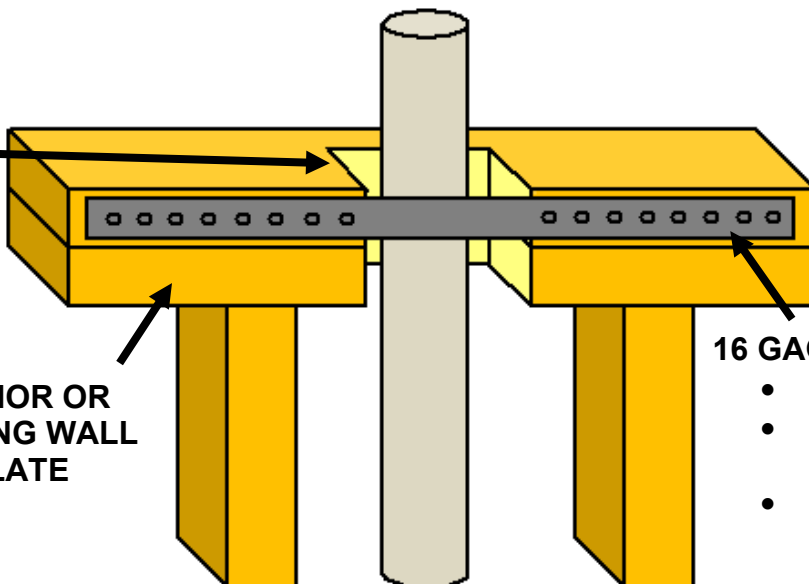


## CUTS/BORES IN FLOOR JOISTS



**HOLE OR NOTCH GREATER THAN 50% OF TOP PLATE WIDTH**

**EXTERIOR OR BEARING WALL TOP PLATE**



**16 GAGE METAL TIE**

- 1 1/2" WIDE
- EXTEND 6" BEYOND EACH SIDE OF NOTCH
- FASTEN WITH 8- 1 1/2" 10D NAILS EACH SIDE