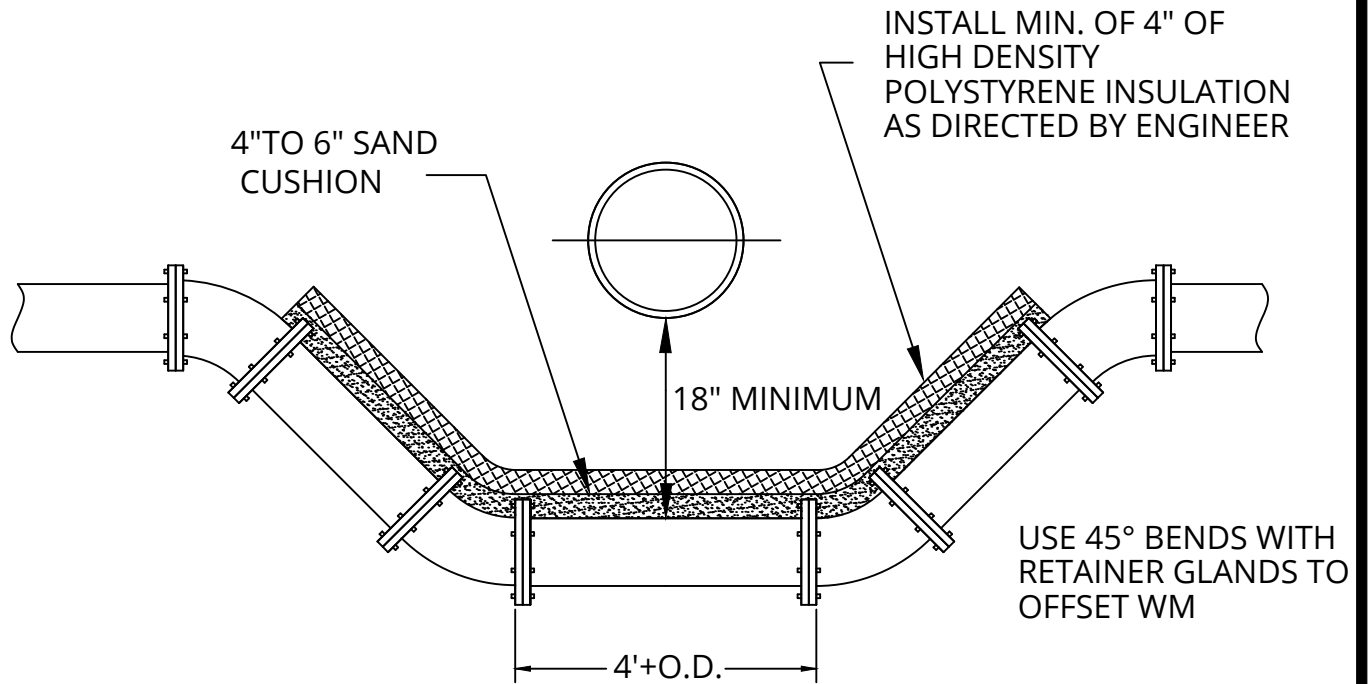
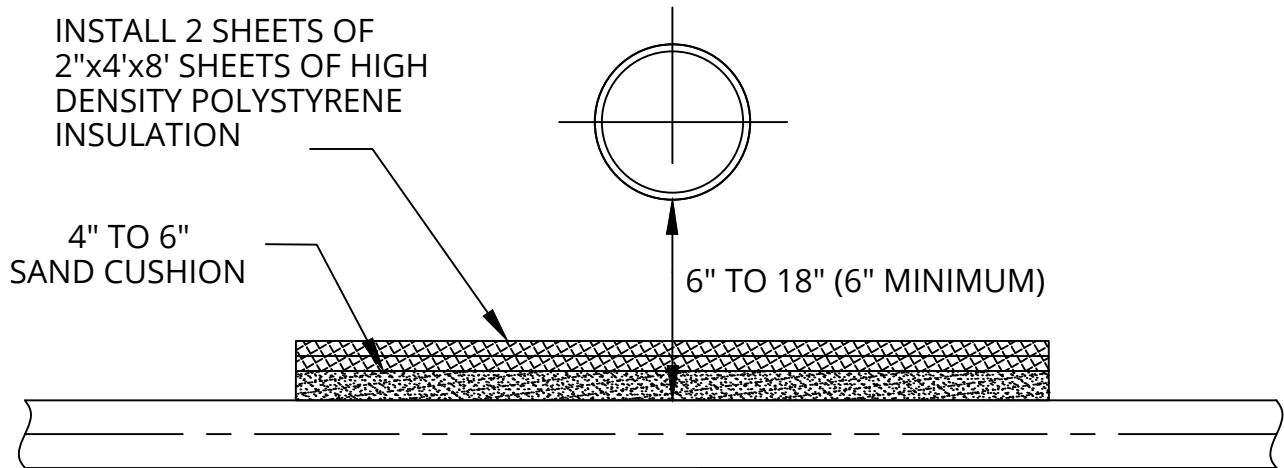


# WATERMAIN OFFSET DETAIL



# WATERMAIN INSULATION DETAIL



# WATERMAIN OFFSET AND INSULATION DETAIL

Plate No. WS-5



2023 STANDARD DETAIL PLATE

City of Blaine - Engineering Department

10801 Town Square Drive NE, Blaine, Minnesota 55449 763-785-6172 Fax 763-785-6139