

# Index of Details Erosion Control

Plate No.

Name

EC-1	MACHINE SLICED SILT FENCE
EC-2	HEAVY DUTY SILT FENCE
EC-3	ROCK CONSTRUCTION ENTRANCE
EC-4	INLET PROTECTION FOR CURB AND GUTTER
EC-5	BACK YARD CATCH BASIN INLET PROTECTION
EC-6	EROSION CONTROL FOR RESIDENTIAL LOTS WITH SURFACE WATERS
EC-7	EROSION CONTROL PLAN FOR RESIDENTIAL LOTS
EC-8	SEDIMENT CONTROL LOG INSTALLATION
EC-9	BIOROLL BLANKET SYSTEM DITCH CHECK



City of Blaine

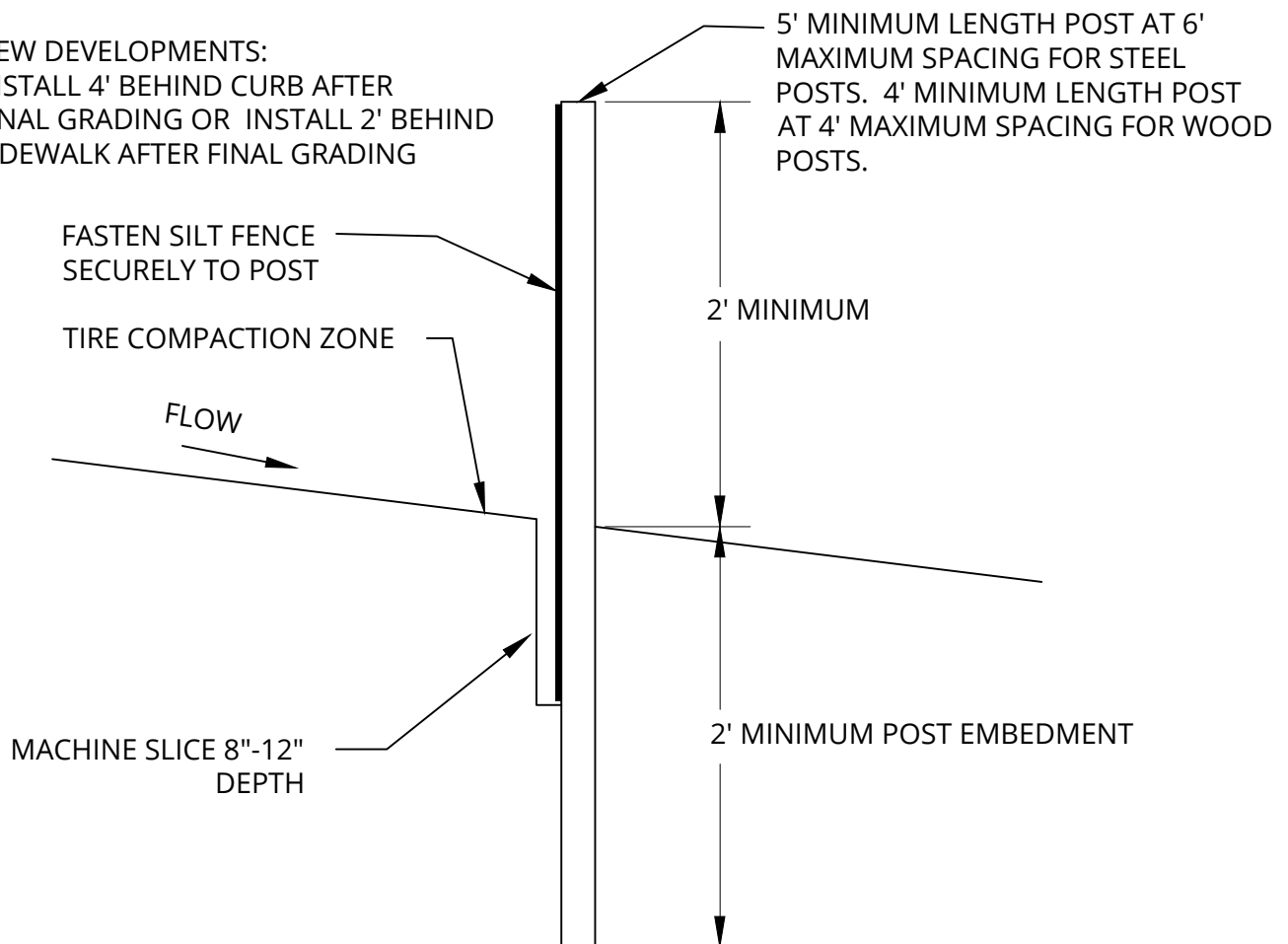
## 2019 STANDARD DETAIL PLATE

City of Blaine - Engineering Department

10801 Town Square Drive NE, Blaine, Minnesota 55449 (763)785-6172 Fax(763)785-6139

- USE PROPER EQUIPMENT SUCH THAT THE SOIL IS SLICED, NOT TURNED OVER.
- GEOTEXTILE FABRIC EMBEDDED 8" TO 12" IN THE SOIL SLIT, LEAVING ABOUT 2' OF FABRIC ABOVE GROUND.
- COMPACT THE SOIL IMMEDIATELY NEXT TO THE GEOTEXTILE BY DRIVING OVER IT WITH A TRACTOR TIRE AT LEAST TWICE.
- STEEL T-POSTS PLACED ON DOWNSTREAM SIDE OF WATER FLOW EMBEDDED AT LEAST 2' INTO THE GROUND. MAXIMUM SPACING 6'. NIPPLES ON POST FACE AWAY FROM THE GEOTEXTILE TO KEEP TIES FROM SLIPPING ON POST.
- FOR STEEL POSTS USE 3 PLASTIC ZIP TIES (50 LB TENSILE) AT LEAST 1" APART TO SECURE THE GEOTEXTILE TO EACH POST WITHIN THE TOP 8".
- FENCE SHALL BE HEAVY DUTY TYPE.
- USE WOOD LATHE AND STAPLES ON FACE OF SILT FENCE TO SECURE TO WOOD POSTS.
- CONTRACTOR SHALL REMOVE FENCE AND POSTS PER SPECIFICATIONS.

NEW DEVELOPMENTS:  
 INSTALL 4' BEHIND CURB AFTER  
 FINAL GRADING OR INSTALL 2' BEHIND  
 SIDEWALK AFTER FINAL GRADING



SILT FENCE MATERIALS SHALL MEET MNDOT SPECIFICATION 3886  
 CONTRACTOR SHALL REMOVE FENCE AND POSTS PER SPECIFICATIONS.

## MACHINE SLICED SILT FENCE

Plate No. EC-1



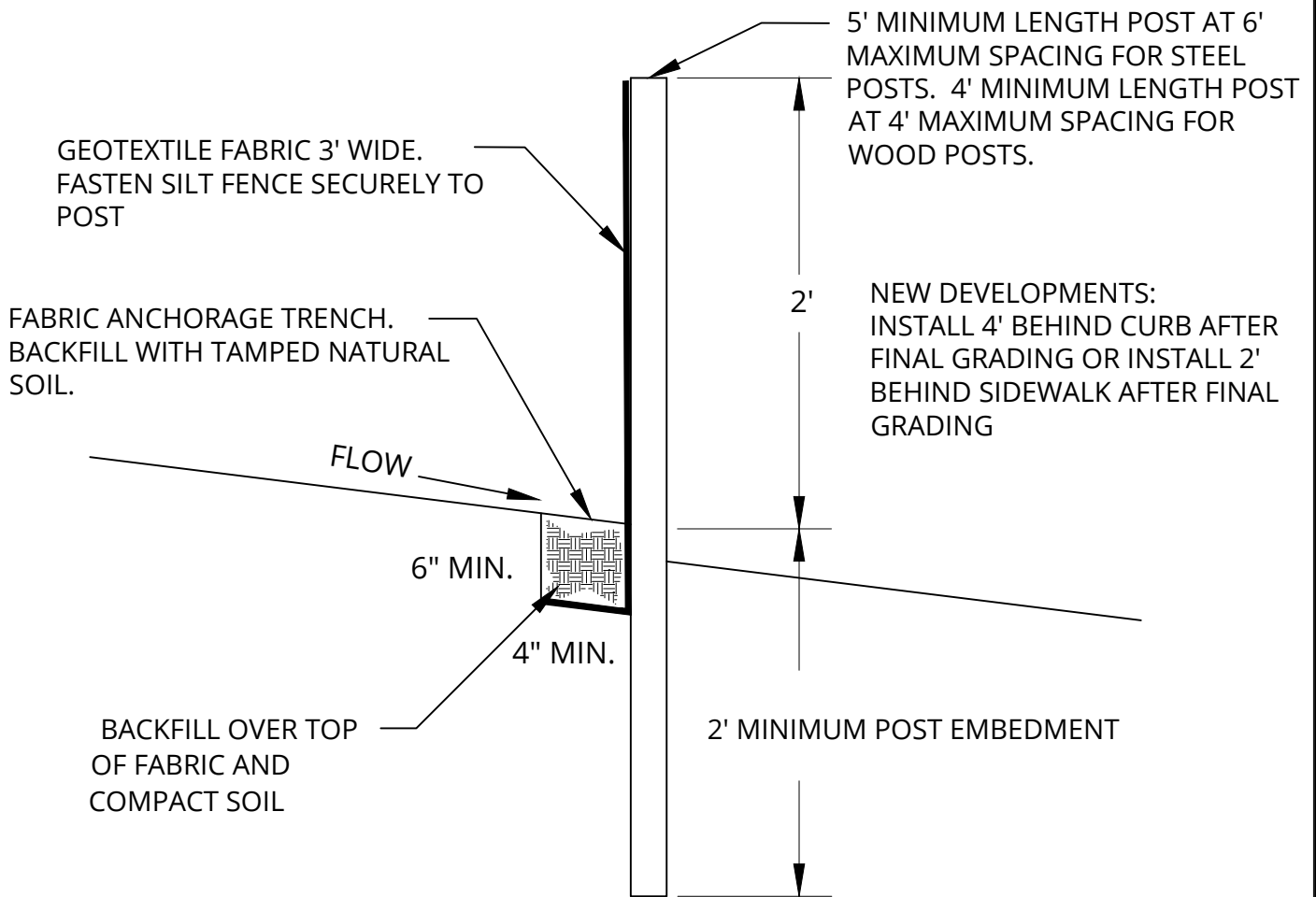
## 2019 STANDARD DETAIL PLATE

City of Blaine - Engineering Department

City of Blaine

10801 Town Square Drive NE, Blaine, Minnesota 55449 (763)785-6172 Fax(763)785-6139

- USE PROPER EQUIPMENT SUCH THAT THE SOIL IS SLICED, NOT TURNED OVER.
- GEOTEXTILE FABRIC EMBEDDED 8" TO 12" IN THE SOIL SLIT, LEAVING ABOUT 2' OF FABRIC ABOVE GROUND.
- COMPACT THE SOIL IMMEDIATELY NEXT TO THE GEOTEXTILE BY DRIVING OVER IT WITH A TRACTOR TIRE AT LEAST TWICE.
- STEEL T-POSTS PLACED ON DOWNSTREAM SIDE OF WATER FLOW EMBEDDED AT LEAST 2' INTO THE GROUND. MAXIMUM SPACING 6'. NIPPLES ON POST FACE AWAY FROM THE GEOTEXTILE TO KEEP TIES FROM SLIPPING ON POST.
- FOR STEEL POSTS USE 3 PLASTIC ZIP TIES (50 LB TENSILE) AT LEAST 1" APART TO SECURE THE GEOTEXTILE TO EACH POST WITHIN THE TOP 8".
- FENCE SHALL BE HEAVY DUTY TYPE.
- USE WOOD LATHE AND STAPLES ON FACE OF SILT FENCE TO SECURE TO WOOD POSTS.
- CONTRACTOR SHALL REMOVE FENCE AND POSTS PER SPECIFICATIONS.



SILT FENCE MATERIALS SHALL MEET MNDOT SPECIFICATION 3886  
 CONTRACTOR SHALL REMOVE FENCE AND POSTS PER SPECIFICATIONS.

## HEAVY DUTY SILT FENCE

Plate No. EC-2

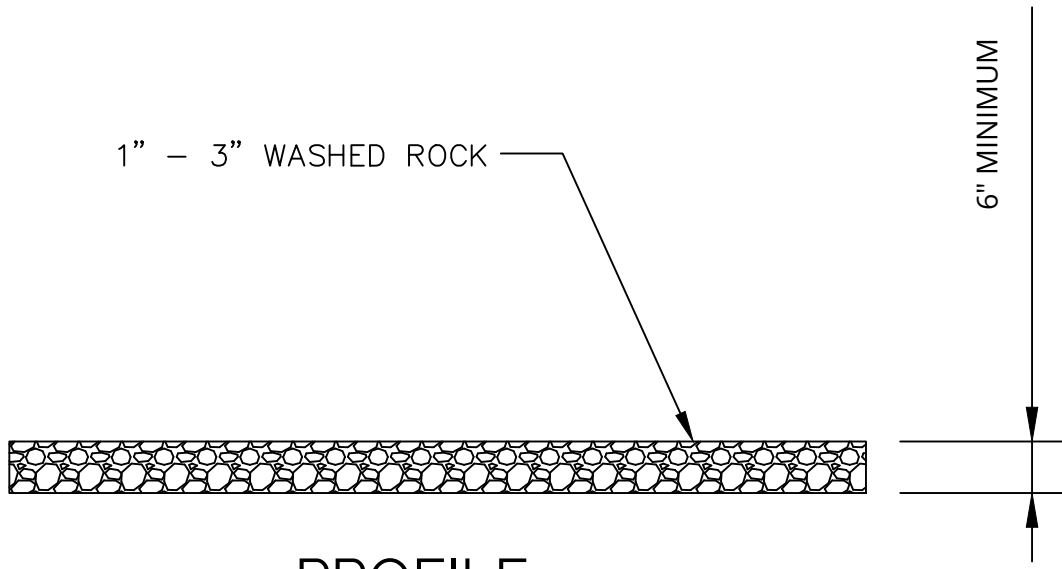


### 2019 STANDARD DETAIL PLATE

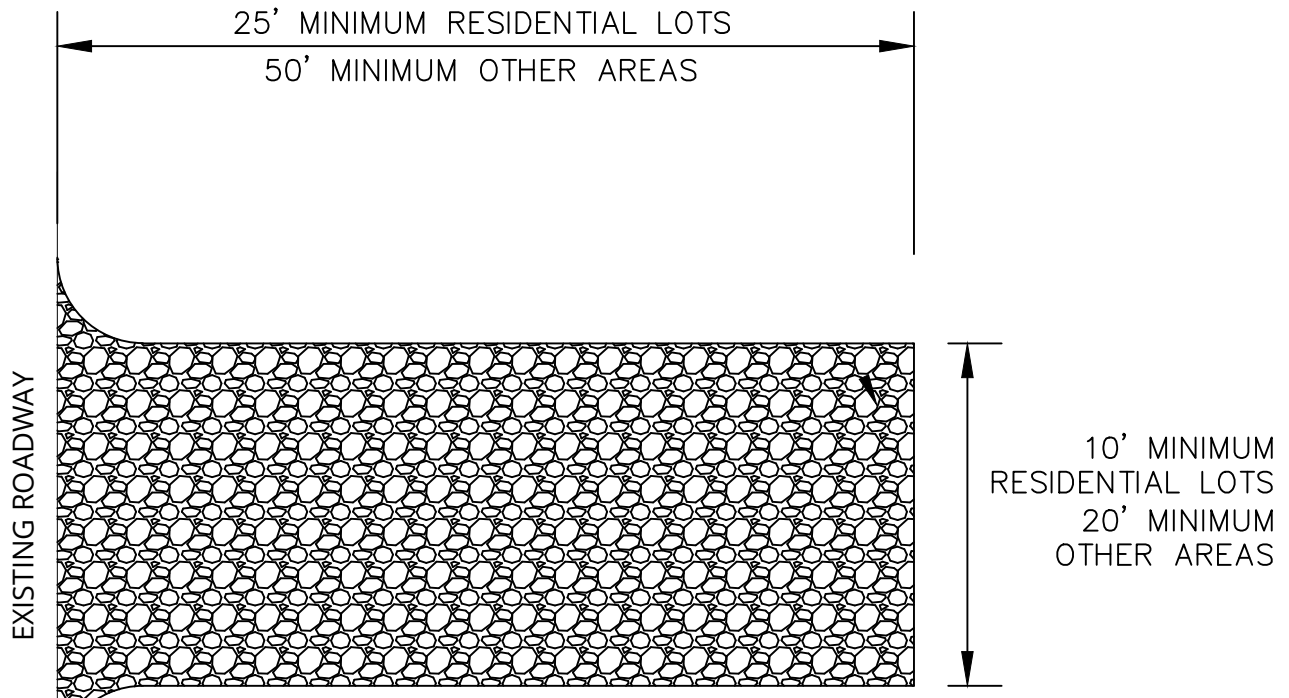
City of Blaine - Engineering Department

City of Blaine

10801 Town Square Drive NE, Blaine, Minnesota 55449 (763)785-6172 Fax(763)785-6139



PROFILE



PLAN

ROCK CONSTRUCTION  
ENTRANCE

Plate No. EC-3

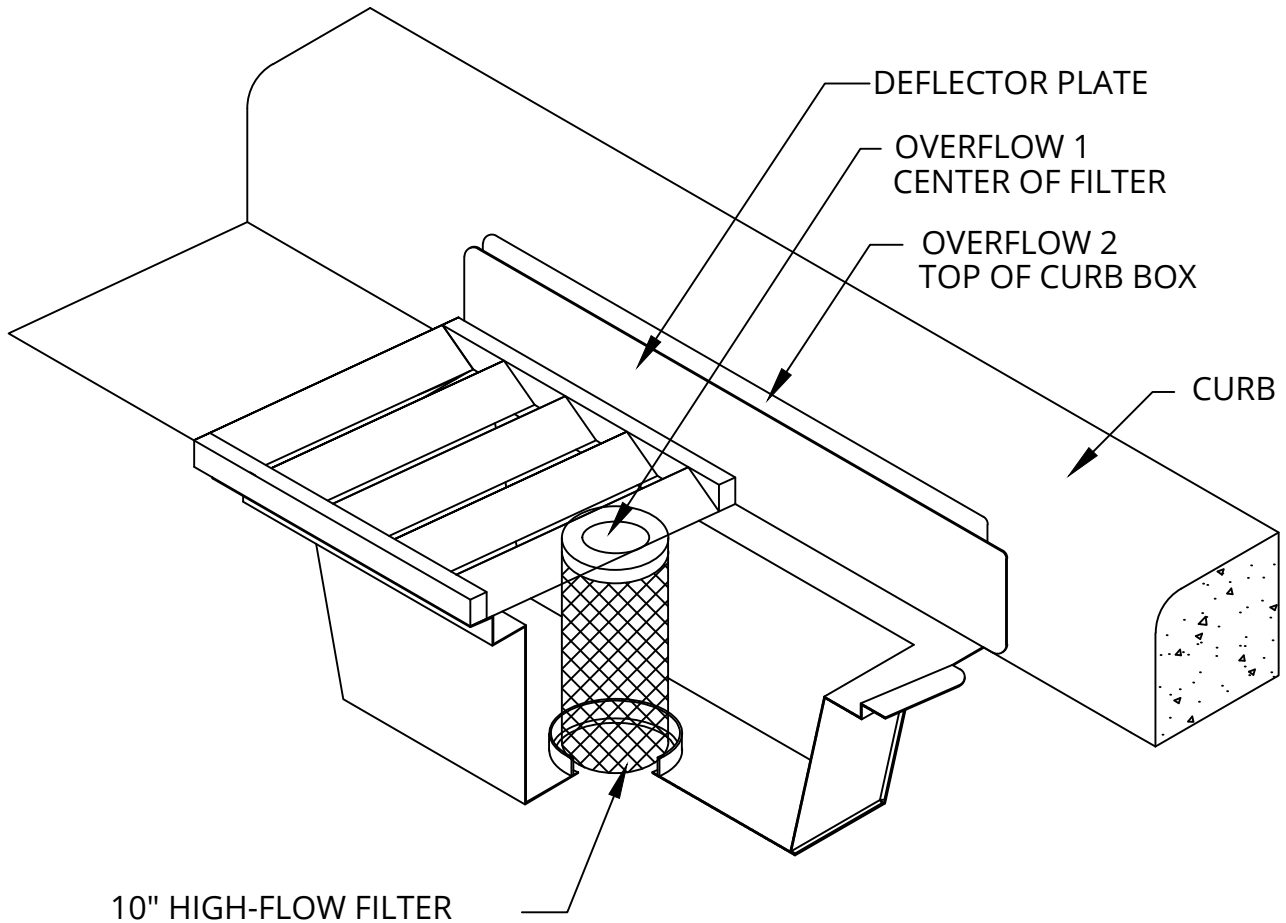


2019 STANDARD DETAIL PLATE

City of Blaine - Engineering Department

City of Blaine

10801 Town Square Drive NE, Blaine, Minnesota 55449 (763)785-6172 Fax(763)785-6139



NOTES:

- WIMCO CG MODEL OR APPROVED EQUAL TO MATCH CASTING
- SILT FENCE/FABRIC NOT ALLOWED TO BE USED AS INLET PROTECTION

INLET PROTECTION  
FOR CURB AND GUTTER

Plate No. EC-4

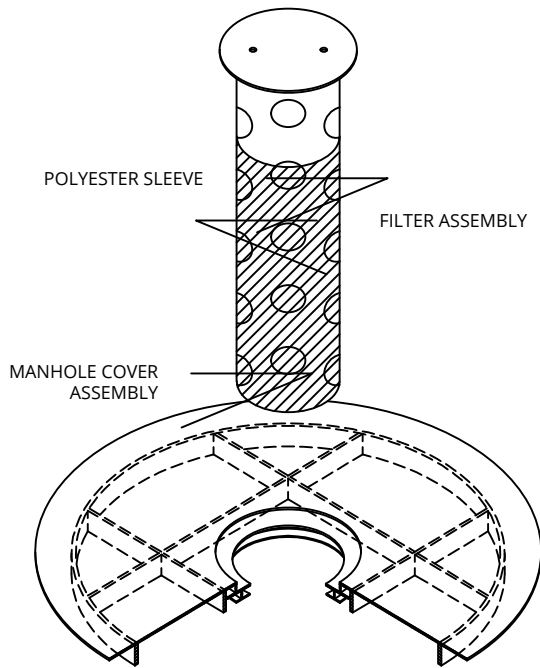


2019 STANDARD DETAIL PLATE

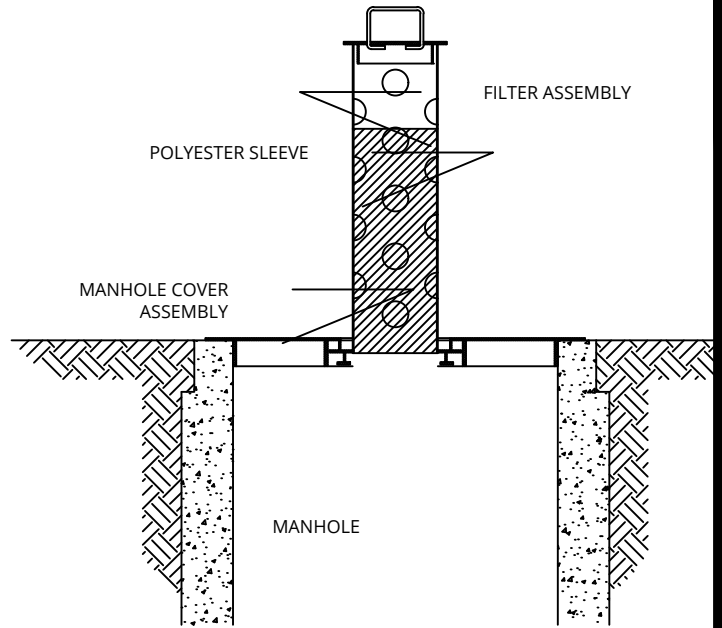
City of Blaine - Engineering Department

City of Blaine

10801 Town Square Drive NE, Blaine, Minnesota 55449 (763)785-6172 Fax(763)785-6139

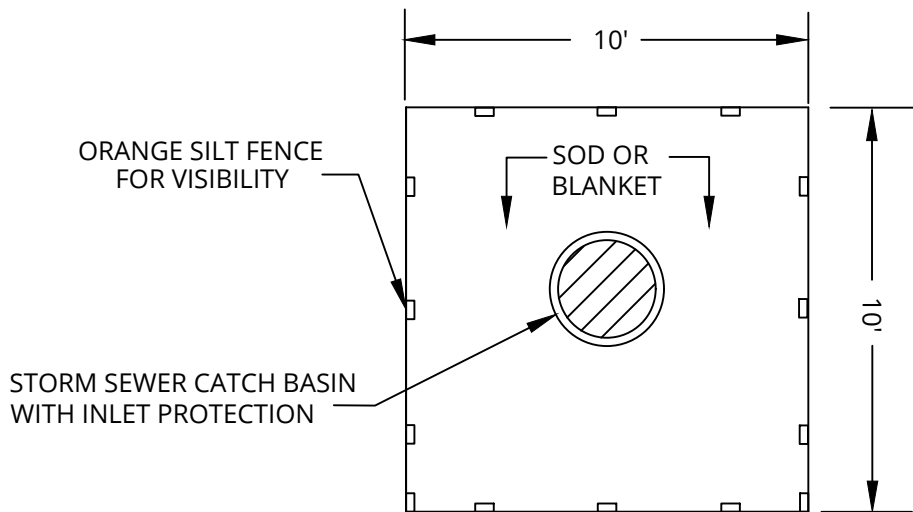


ISOMETRIC VIEW



IN-PLACE ELEVATION VIEW

WIMCO RD 27 OR OTHER APPROVED DEVICE



TYPICAL SODDING DETAIL FOR YARD CATCH BASIN

BACK YARD CATCH BASIN  
INLET PROTECTION

Plate No. EC-5

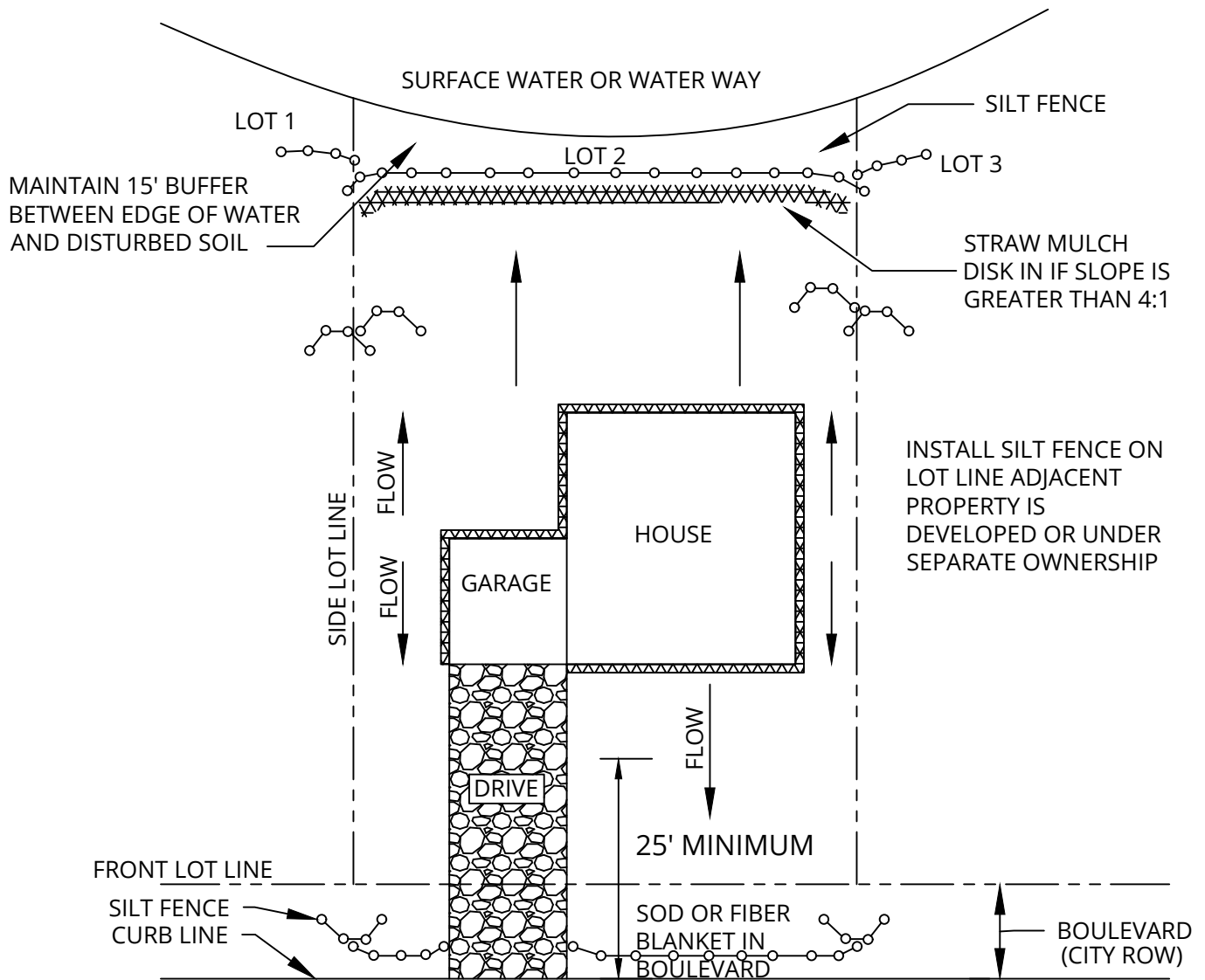


2019 STANDARD DETAIL PLATE

City of Blaine - Engineering Department

City of Blaine

10801 Town Square Drive NE, Blaine, Minnesota 55449 (763)785-6172 Fax(763)785-6139



**SEDIMENT CONTROL NOTES:**

1. PERIMETER SEDIMENT CONTROLS ARE NECESSARY AT DOWN SLOPING PROPERTY AND STREET EDGES. SEDIMENT CONTROLS MUST PROVIDE CONTAINMENT BY TURNING PERIMETER CONTROLS UPSLOPE INTO PROPERTY.
2. PERIMETER CONTROLS CAN INCLUDE MULCH SOCKS, MULCH BERMS AND/OR SILT FENCE PROPERLY TRENCHED IN AND STAKED OR STABILIZED.

**EROSION CONTROL NOTES:**

1. SITE HAS A MINIMUM OF 4" TOPSOIL FOR FINAL STABILIZATION
2. CONSTRUCTION ENTRANCE SHALL BE 1"-3" CLEAN ROCK AT A MINIMUM DEPTH OF 6" PER DETAIL EC-3
3. SLOPES GREATER THAN 4:1 NEED FIBER BLANKETS AND TEMPORARY OR PERMANENT SEEDING
4. SWALES NEED CHECK DAMS OR BLANKETS

**EROSION CONTROL FOR RESIDENTIAL  
LOTS WITH SURFACE WATERS**

Plate No. EC-6

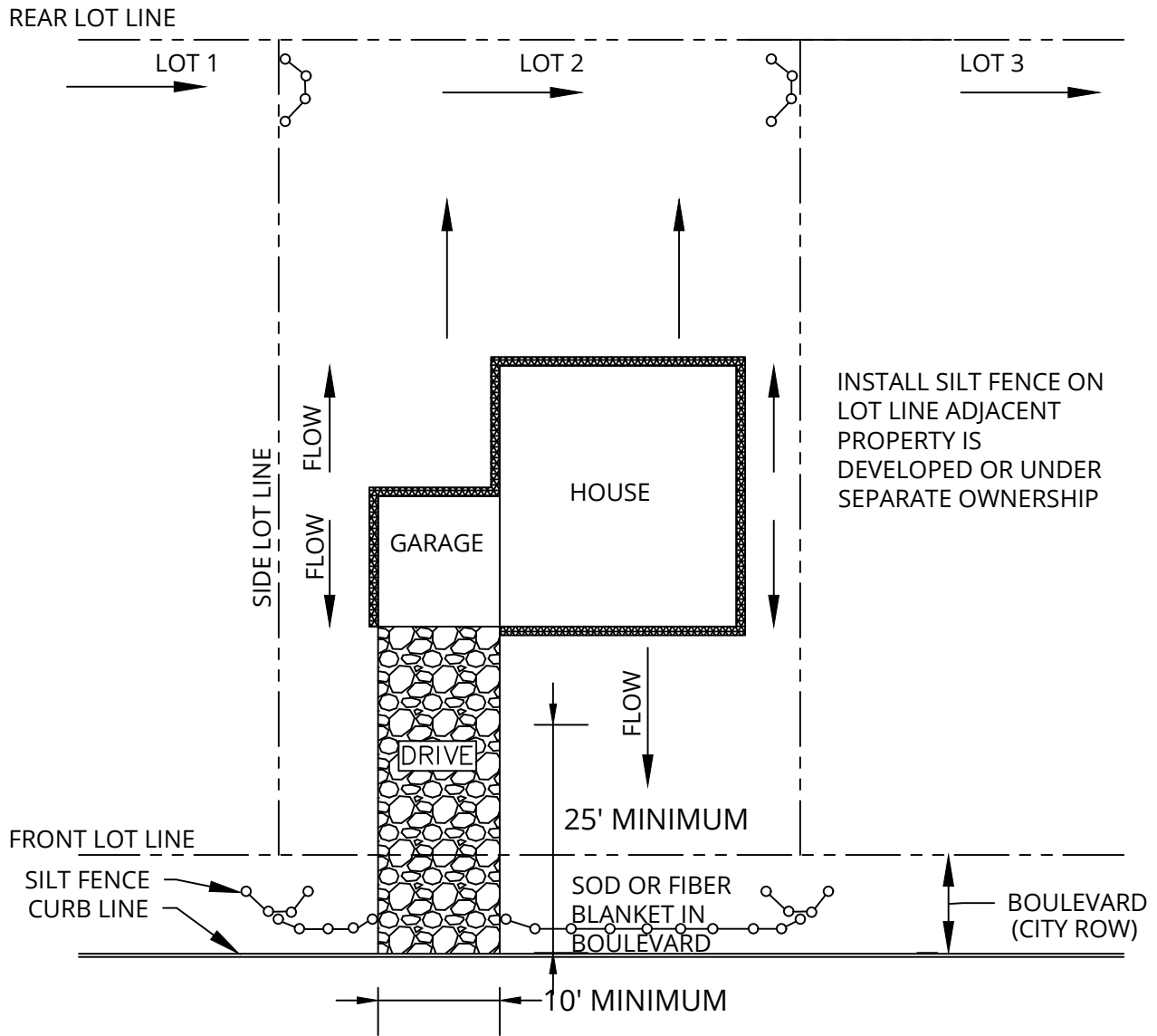


**2019 STANDARD DETAIL PLATE**

City of Blaine - Community Standards

City of Blaine

10801 Town Square Drive NE, Blaine, Minnesota 55449 (763)785-6172 Fax(763)785-6139



SEDIMENT CONTROL NOTES:

1. PERIMETER SEDIMENT CONTROLS ARE NECESSARY AT DOWN SLOPING PROPERTY AND STREET EDGES. SEDIMENT CONTROLS MUST PROVIDE CONTAINMENT BY TURNING PERIMETER CONTROLS UPSLOPE INTO PROPERTY.
2. PERIMETER CONTROLS CAN INCLUDE MULCH SOCKS, MULCH BERMS AND/OR SILT FENCE PROPERLY TRENCHED IN AND STAKED OR STABILIZED.

EROSION CONTROL NOTES:

1. SITE HAS A MINIMUM OF 4" TOPSOIL FOR FINAL STABILIZATION
2. CONSTRUCTION ENTRANCE SHALL BE 1"-3" CLEAN ROCK AT A MINIMUM DEPTH OF 6" PER DETAIL EC-3
3. SLOPES GREATER THAN 4:1 NEED FIBER BLANKETS AND TEMPORARY OR PERMANENT SEEDING
4. SWALES NEED CHECK DAMS OR BLANKETS

EROSION CONTROL FOR  
RESIDENTIAL LOTS

Plate No. EC-7



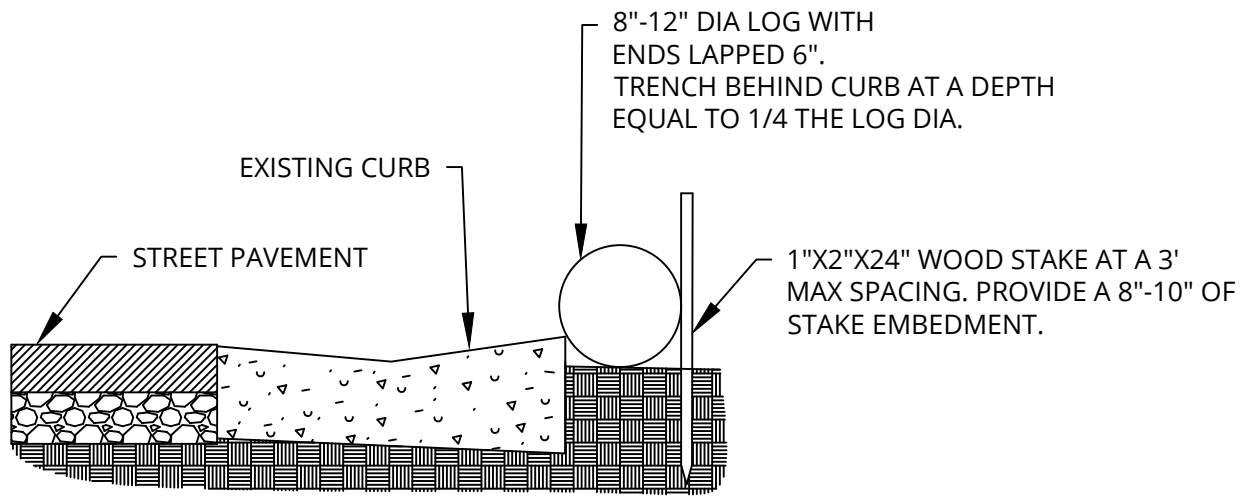
2019 STANDARD DETAIL PLATE

City of Blaine - Community Standards

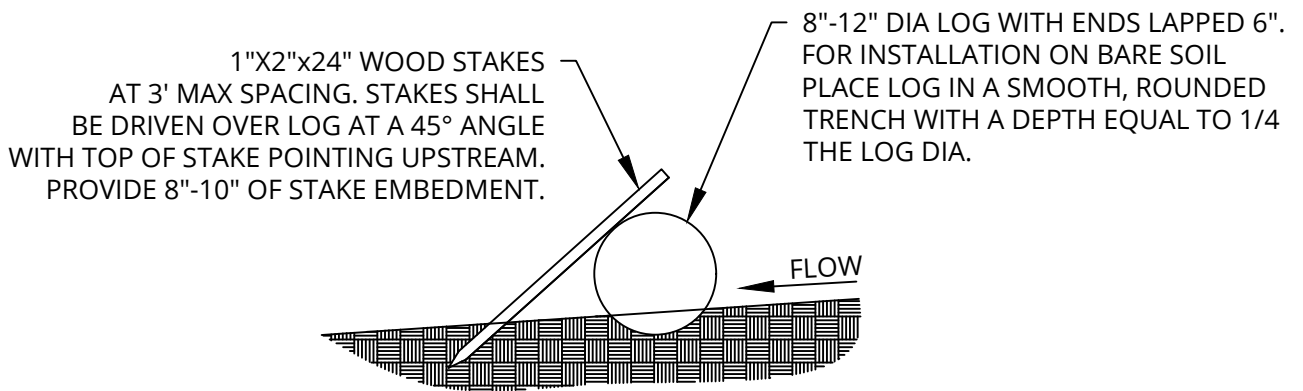
City of Blaine

10801 Town Square Drive NE, Blaine, Minnesota 55449 (763)785-6172 Fax(763)785-6139

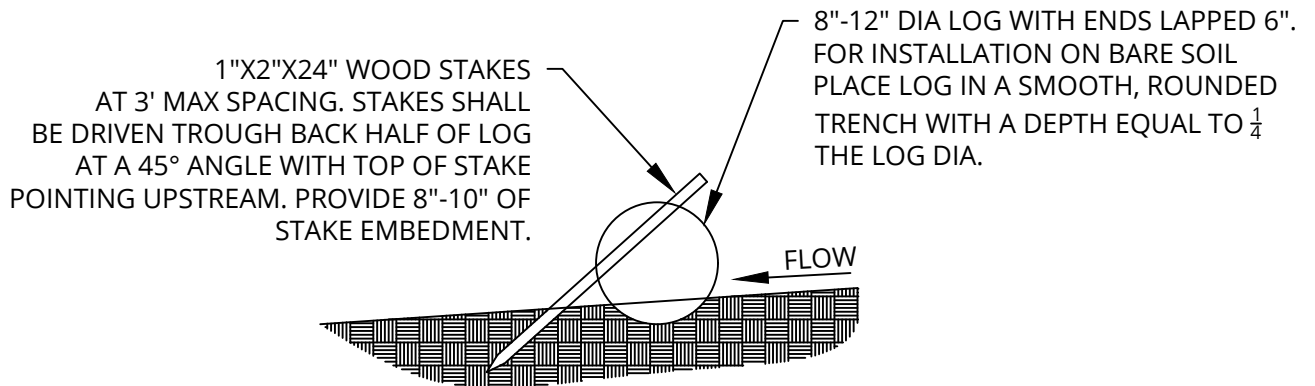




CURB INSTALLATION



FIELD INSTALLATION USING MULCH OR COMPOST



FIELD INSTALLATION USING STRAW OR WOOD FIBER

SEDIMENT CONTROL LOG INSTALLATION

Plate No. EC-8

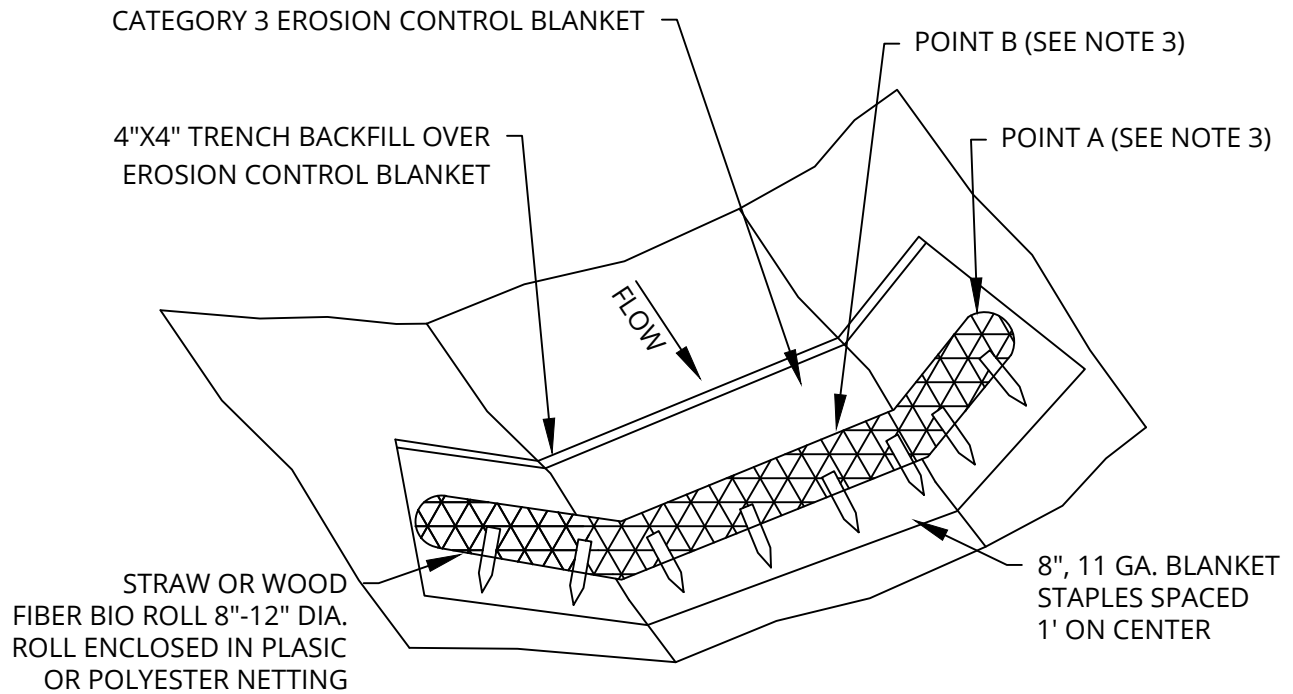


2019 STANDARD DETAIL PLATE

City of Blaine - Community Standards

City of Blaine

10801 Town Square Drive NE, Blaine, Minnesota 55449 (763)785-6172 Fax(763)785-6139



NOTES:

1. SEE DETAIL EC-8 FOR BIOROLL STAKE INSTALLATION.
2. APPROXIMATE SPACING OF DITCH CHECK (FT) =  $\frac{\text{DITCH CHECK HEIGHT(FT)}}{\% \text{ CHANNEL SLOPE}} \times 100$
3. POINT "A" MUST BE A MINIMUM OF 6 INCHES HIGHER THAN POINT "B" TO ENSURE THAT WATER FLOWS OVER THE DITCH CHECK AND NOT AROUND THE ENDS..

BIOROLL BLANKET SYSTEM DITCH CHECK

Plate No. EC-9



2019 STANDARD DETAIL PLATE

City of Blaine - Community Standards

City of Blaine

10801 Town Square Drive NE, Blaine, Minnesota 55449 (763)785-6172 Fax(763)785-6139