

NOTE: PVC SEWER MAIN USE NEW GASKETED PVC WYE AND SLEEVE
 VCP OR RCP USE A FURNCO TSPK-46 TAP SADDLE
 NEW PIPE OR COLLAR CAN NOT PROTRUDE INTO MAIN

SERVICE TAP CONNECTION EXISTING PIPE

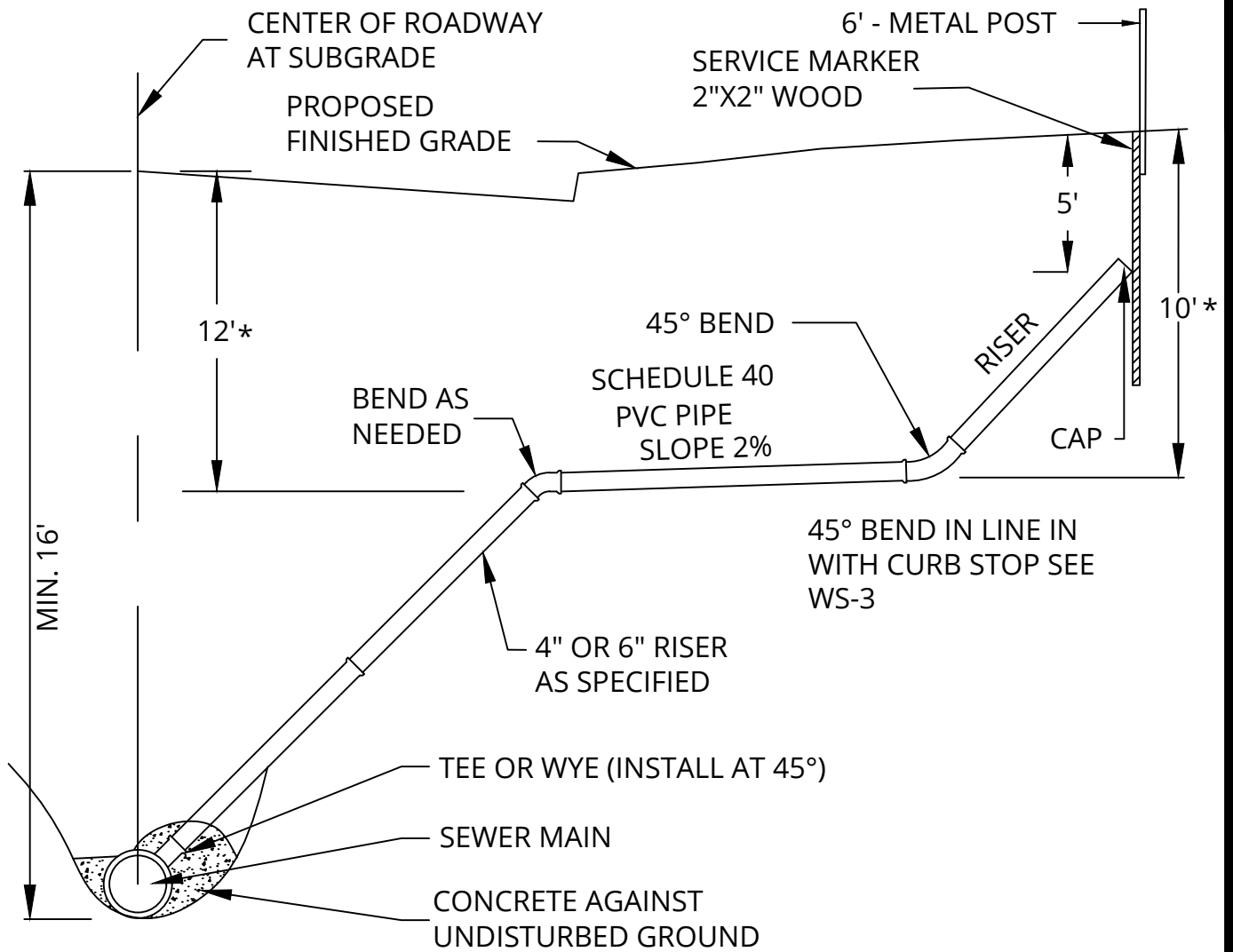
Plate No. SSS-1



2023 STANDARD DETAIL PLATE

City of Blaine - Engineering Department

10801 Town Square Drive NE, Blaine, Minnesota 55449 763-785-6172 Fax 763-785-6139



NOTE: WHEN SANITARY SERVICE IS NOT ACCOMPANIED BY A WATER SERVICE IN THE SAME TRENCH, INSTALL A 6' POST NEXT TO THE 2"x2" MARKER AND PAINT THE TOP 6" GREEN, FOR VACANT LOTS, USE 6' STEEL FENCE POST.

- UNLESS OTHERWISE INDICATED ON PLANS
NO BEND MAY BE USED OTHER THAN THOSE SHOWN ON DETAIL
SOLVENT WELD ALL JOINTS
- * WILL BE ADJUSTED IN FIELD BY ENGINEER TO SERVE EXISTING STRUCTURES

IF DISTANCE FROM MAIN TO STRUCTURE IS GREATER THAN 100', A CLEAN OUT MUST BE INSTALLED AT 100' INTERVALS, SEE DETAIL SSS-4.

SERVICE RISER SECTION

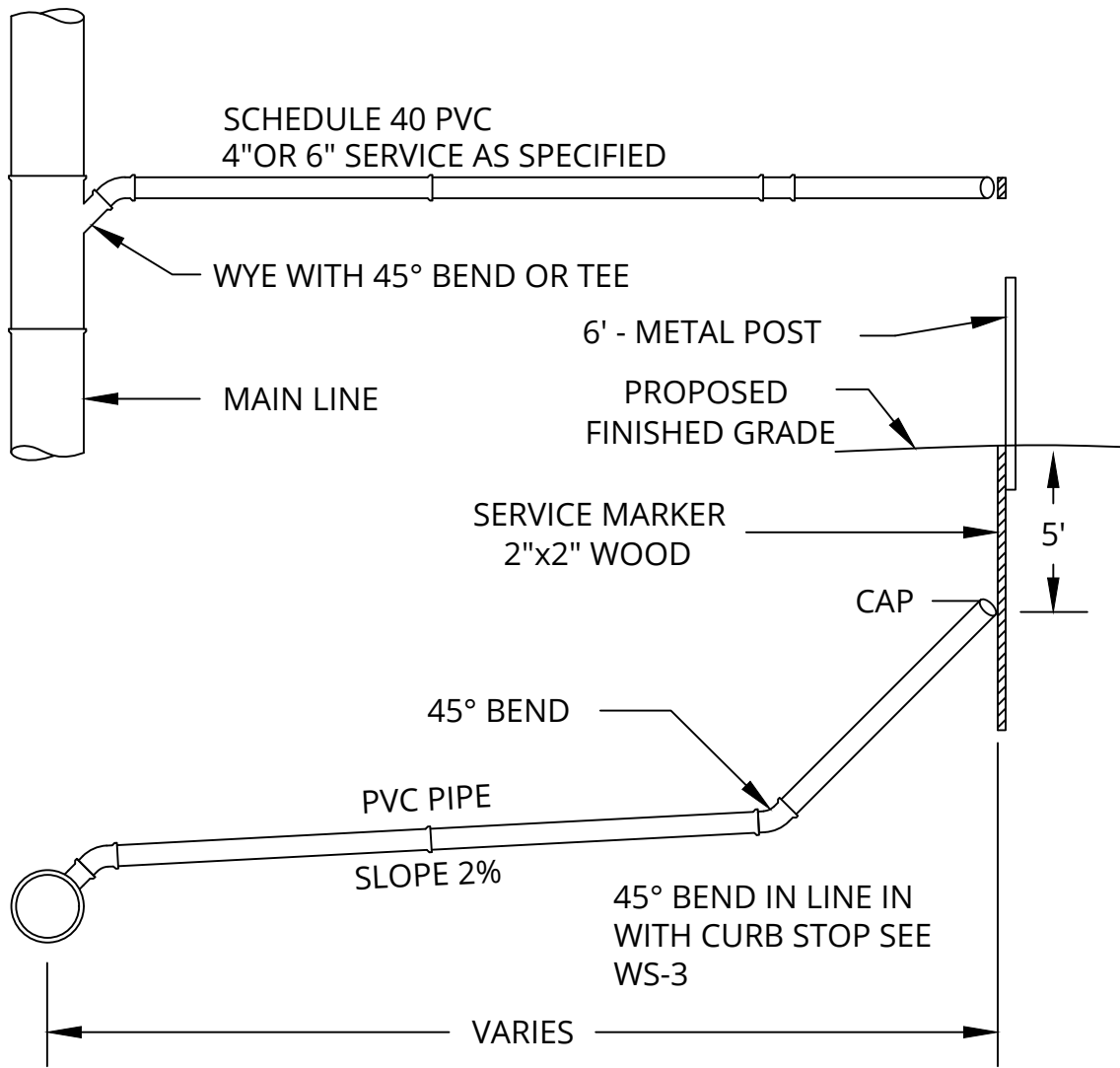
Plate No. SSS-2



2023 STANDARD DETAIL PLATE

City of Blaine - Engineering Department

10801 Town Square Drive NE, Blaine, Minnesota 55449 763-785-6172 Fax 763-785-6139



NOTE: WHEN SANITARY SERVICE IS NOT ACCOMPANIED BY A WATER SERVICE IN THE SAME TRENCH, INSTALL A 6' POST NEXT TO THE 2"x2" MARKER AND PAINT THE TOP 6" GREEN, FOR VACANT LOTS, USE 6' STEEL FENCE POST.

- UNLESS OTHERWISE INDICATED ON PLANS

NO BEND MAY BE USED OTHER THAN THOSE SHOWN ON DETAIL

SOLVENT WELD ALL JOINTS

ON EXISTING MAINS, SEE DETAIL SSS-1

IF DISTANCE FROM MAIN TO STRUCTURE IS GREATER THAN 100', A CLEAN OUT MUST BE INSTALLED AT 100' INTERVALS, SEE DETAIL SSS-4.

SERVICE CONNECTION

Plate No. SSS-3

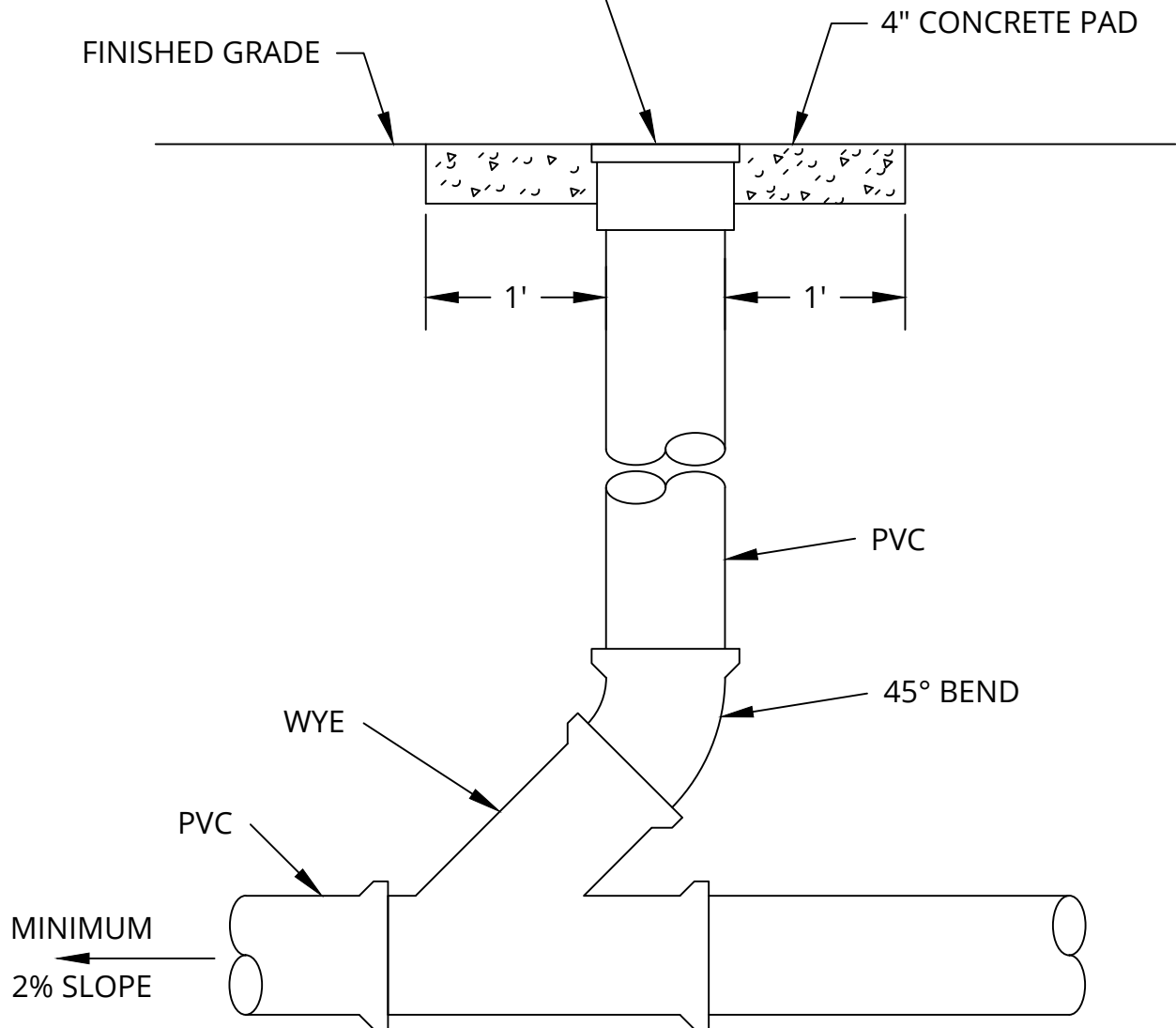


2023 STANDARD DETAIL PLATE

City of Blaine - Engineering Department

10801 Town Square Drive NE, Blaine, Minnesota 55449 763-785-6172 Fax 763-785-6139

CASTING SHALL BE MARKED SANITARY OR CO (CLEAN OUT)
AS APPROVED BY ENGINEER
FORD TYPE A1, ESSA-1
PVC THREADED PLUG



NOTES:

- ALL JOINTS SHALL BE SOLVENT WELD EXCEPT AS NOTED.
- SIZES: RESIDENTIAL = 4" DIAMETER
COMMERCIAL/INDUSTRIAL = 6" DIAMETER
- ALL PIPE TO BE SCHEDULE 40 PVC
- CLEAN OUTS ARE REQUIRED AT 100' SPACING AND AT CHANGE OF DIRECTION.

SERVICE CLEAN OUT

Plate No. SSS-4

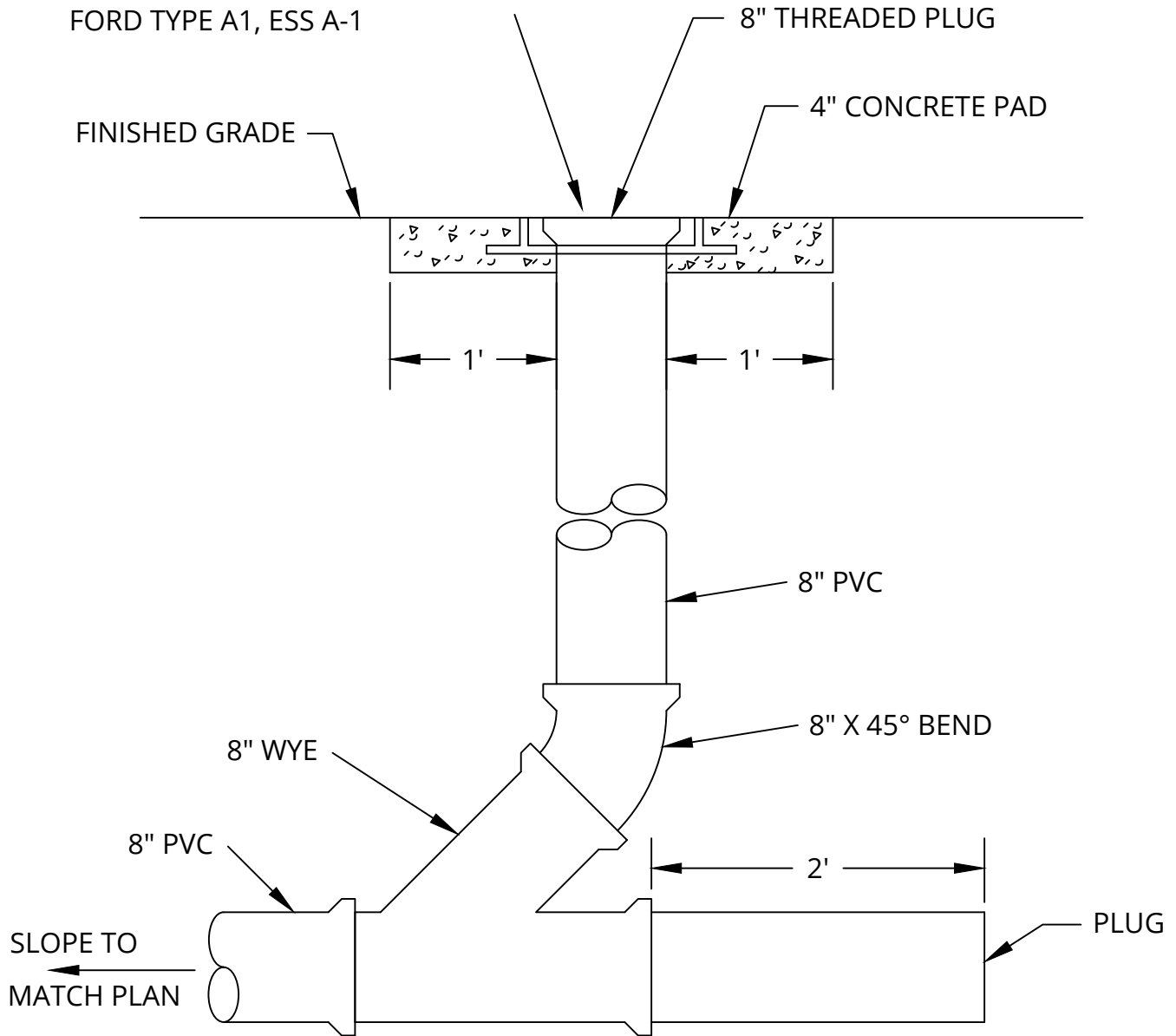


2023 STANDARD DETAIL PLATE

City of Blaine - Engineering Department

10801 Town Square Drive NE, Blaine, Minnesota 55449 763-785-6172 Fax 763-785-6139

CASTING SHALL BE MARKED SANITARY OR CO (CLEAN OUT)
AS APPROVED BY ENGINEER
FORD TYPE A1, ESS A-1



NOTES:

- ALL JOINTS SHALL BE SOLVENT WELD EXCEPT AS NOTED.
- 8" SLIP JOINT PLUG SHALL BE BLOCKED SUFFICIENTLY TO WITHSTAND AIR PRESSURE TESTING.

TEMPORARY CLEAN OUT

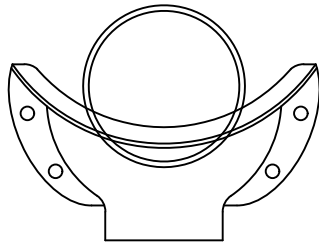
Plate No. SSS-5



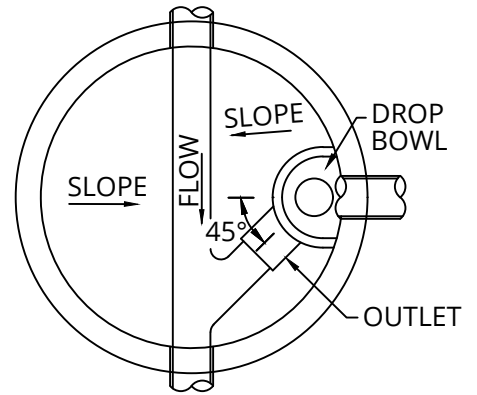
2023 STANDARD DETAIL PLATE

City of Blaine - Engineering Department

10801 Town Square Drive NE, Blaine, Minnesota 55449 763-785-6172 Fax 763-785-6139



DROP BOWL
MOUNTING POSITION



INSIDE DROP
PLAN VIEW

INSTALL HOOD FOR
FORCE MAIN OR AS DIRECTED

RELINER® INSIDE DROP BOWL
SECURED WITH STAINLESS
STEEL FASTENERS

EXTERNAL PIPE COUPLER
FERNCO OR EQUAL

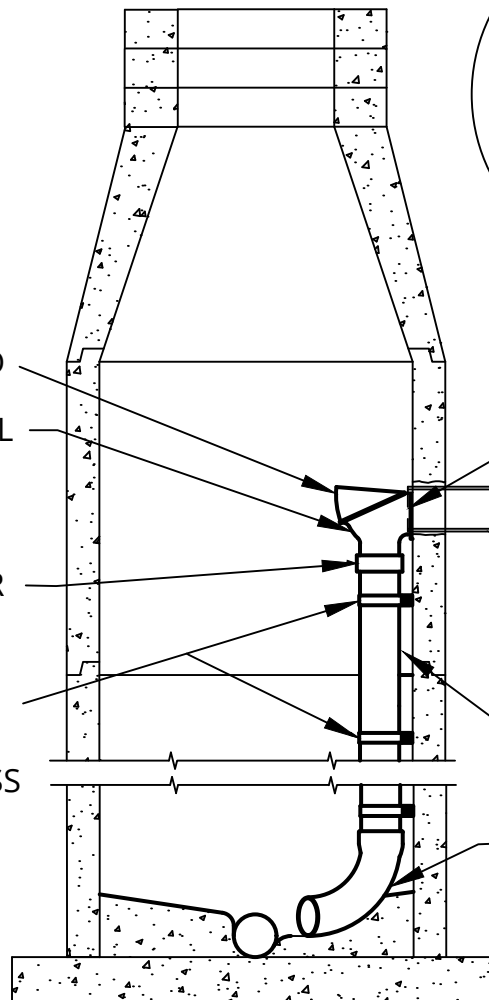
RELINER® STAINLESS STEEL
STRAPES SECURED TO
STRUCURE WITH STAINLESS
STEEL FASTENERS, AT 4'
INTERVALS (MIN. OF 2)

TRIM PIPE TO 2" MAX
V NOTCH INVERT

INCOMING SEWER

DROP PIPE

GLUE FITTING BELL AND
SPIGOT SWEEP ELBOW
EMBEDDED IN CONC. AT
45 DEGREES WITH FLOW



NOTES:

1. INCREASE MANHOLE SIZE 6" IN DIAMETER FOR 2 CONNECTIONS
2. INSTALL DIP TO UNDISTURBED SOIL
3. INSTALL PER MANUFACTURERS RECOMMENDATIONS.
4. SECURE DROP PIPE TO MANHOLE WITH RELINER-DURAN, INC STAINLESS STEEL ADJUSTABLE CLAMPING BRACKETS.
5. ALL INSIDE DROP CONNECTIONS FOR SERVICES AND COLLECTOR SEWERS SHALL USE THE DROP BOWL AS PRODUCED BY:
RELINER-DURAN, INC.
53 MT. ARCHER RD,
LYME, CT 06371
(860)434-0277 FAX:(877)434-3197

INSIDE DROP MANHOLE

Plate No. SSS-6

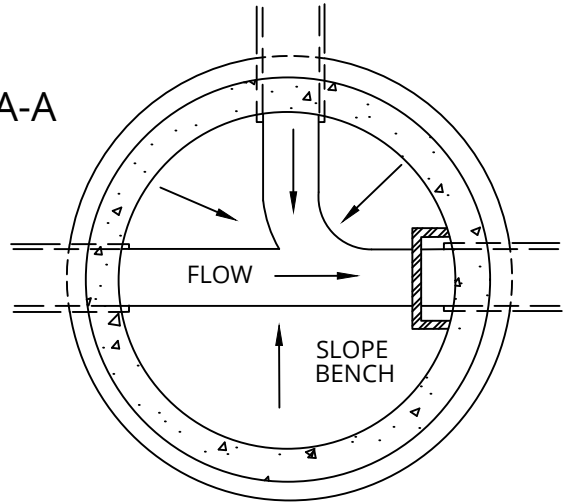


2023 STANDARD DETAIL PLATE

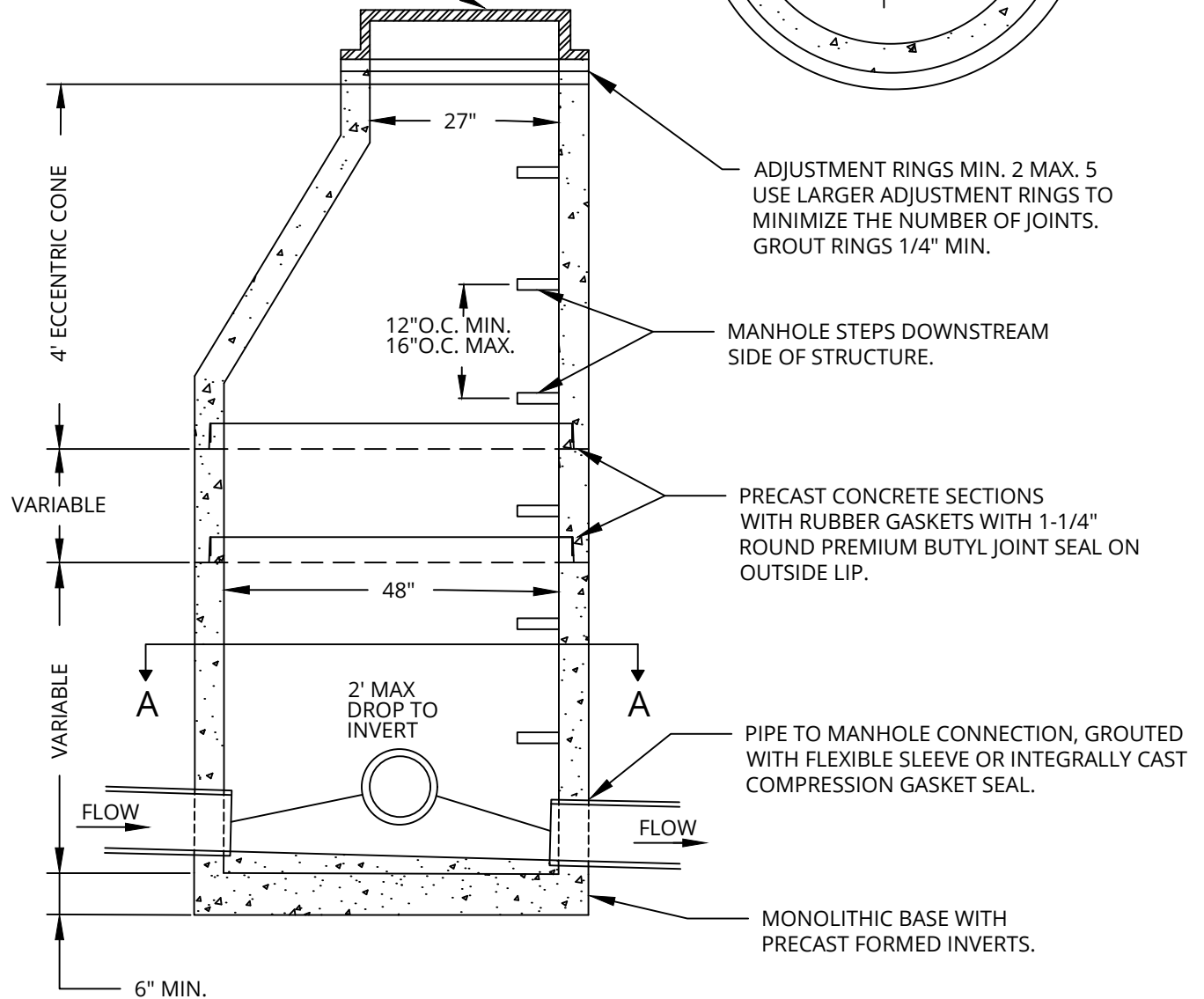
City of Blaine - Engineering Department

10801 Town Square Drive NE, Blaine, Minnesota 55449 763-785-6172 Fax 763-785-6139

SECTION A-A



NEENAH R-1733 CASTING
WITH PLATEN LID.



STANDARD SANITARY
MANHOLE

Plate No. SSS-7



2023 STANDARD DETAIL PLATE

City of Blaine - Engineering Department

10801 Town Square Drive NE, Blaine, Minnesota 55449 763-785-6172 Fax 763-785-6139