

Index of Details Storm Drainage

Plate No.

Name

SD-1	24" X 36" CATCH BASIN
SD-2	RECTANGULAR OPENING CB COVER
SD-3	RIP-RAP FOR OUTLET TO WET DITCH OR BASIN
SD-4	RIP-RAP FOR OUTLET TO DRY DITCH OR BASIN
SD-5	CATCH BASIN/CURBING & CASTING SCHEDULE
SD-6	STANDARD STORM SEWER CB/MH & MH
SD-7	SHALLOW DEPTH CATCH BASIN

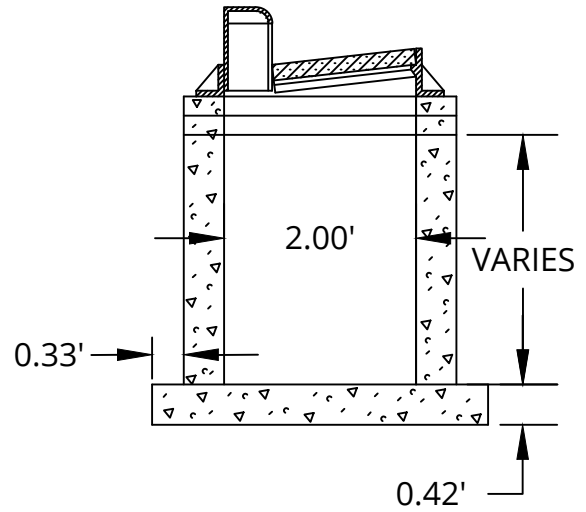
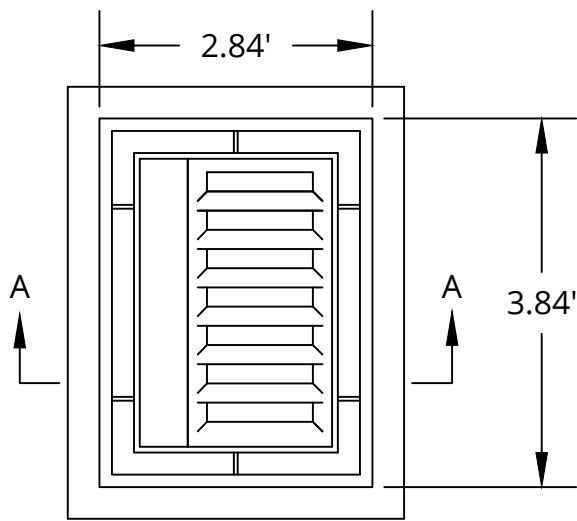


2019 STANDARD DETAIL PLATE

City of Blaine - Engineering Department

City of Blaine

10801 Town Square Drive NE, Blaine, Minnesota 55449 (763)785-6172 Fax(763)785-6139



SECTION A-A

NOTES:

1. INSIDE DIMENSIONS 2.00' X 3.00'
2. BASE TO BE GROUTED TO FORM A SMOOTH INVERT TO OUTLET.
3. PIPE CUT OUTS TO BE LOCATED WHERE REQUIRED.
4. STRENGTH DESIGN OF BASE SLAB AND STRUCTURE PER MANUFACTURER.
5. SEE DETAIL MI-3 FOR ADJUSTING RING CONSTRUCTION
6. SEE SD-5 FOR CASTING SCHEDULE

24" x 36" CATCH BASIN

Plate No. SD-1



2019 STANDARD DETAIL PLATE

City of Blaine - Engineering Department

City of Blaine

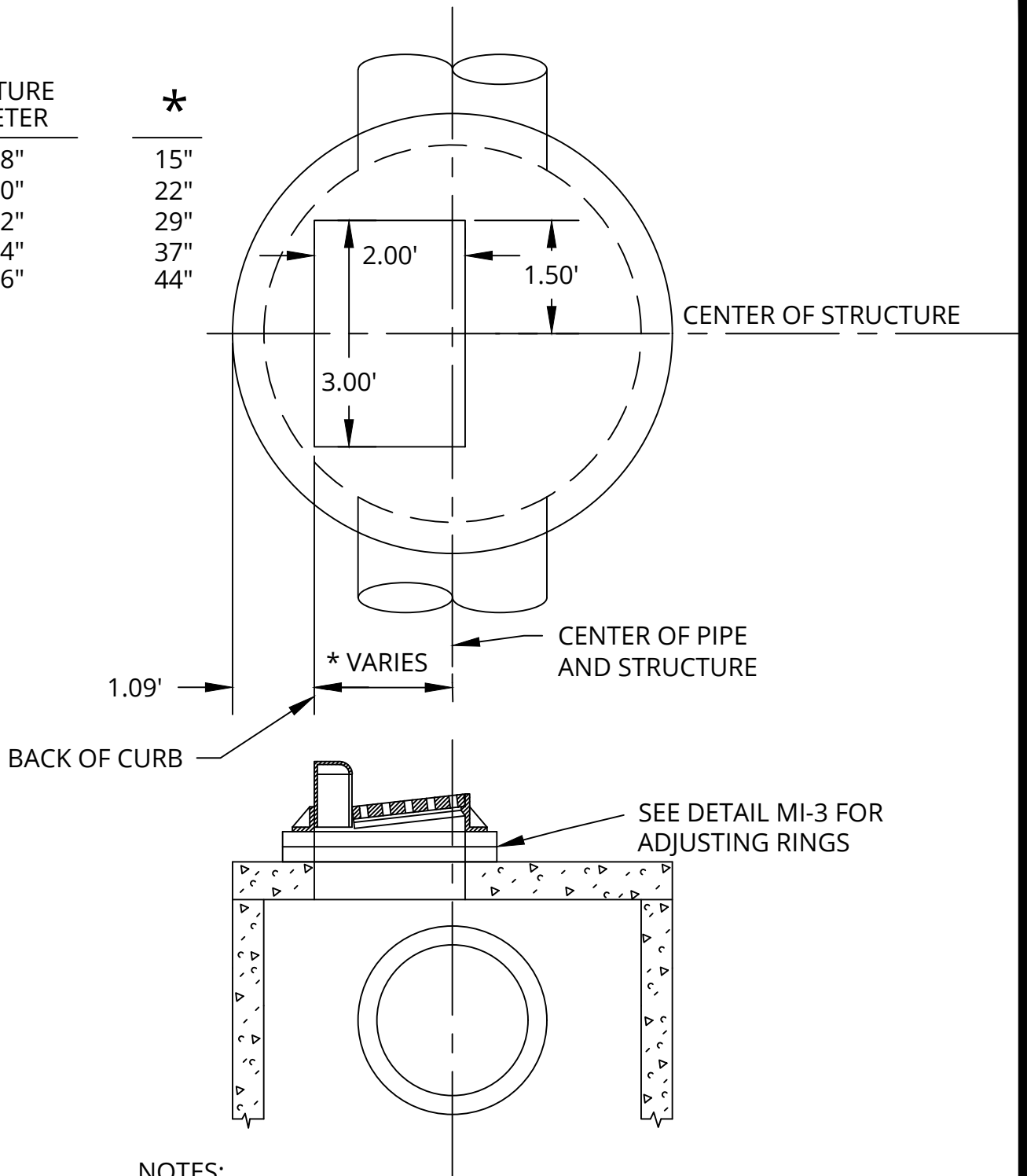
10801 Town Square Drive NE, Blaine, Minnesota 55449 (763)785-6172 Fax(763)785-6139

STRUCTURE
DIAMETER

48"
60"
72"
84"
96"

*

15"
22"
29"
37"
44"



NOTES:

1. STRENGTH DESIGN OF COVER SHALL BE PER MNDOT STANDARD PLATE 4020.
2. SEE SD-5 FOR CASTING SCHEDULE

RECTANGULAR OPENING
CB COVER

Plate No. SD-2

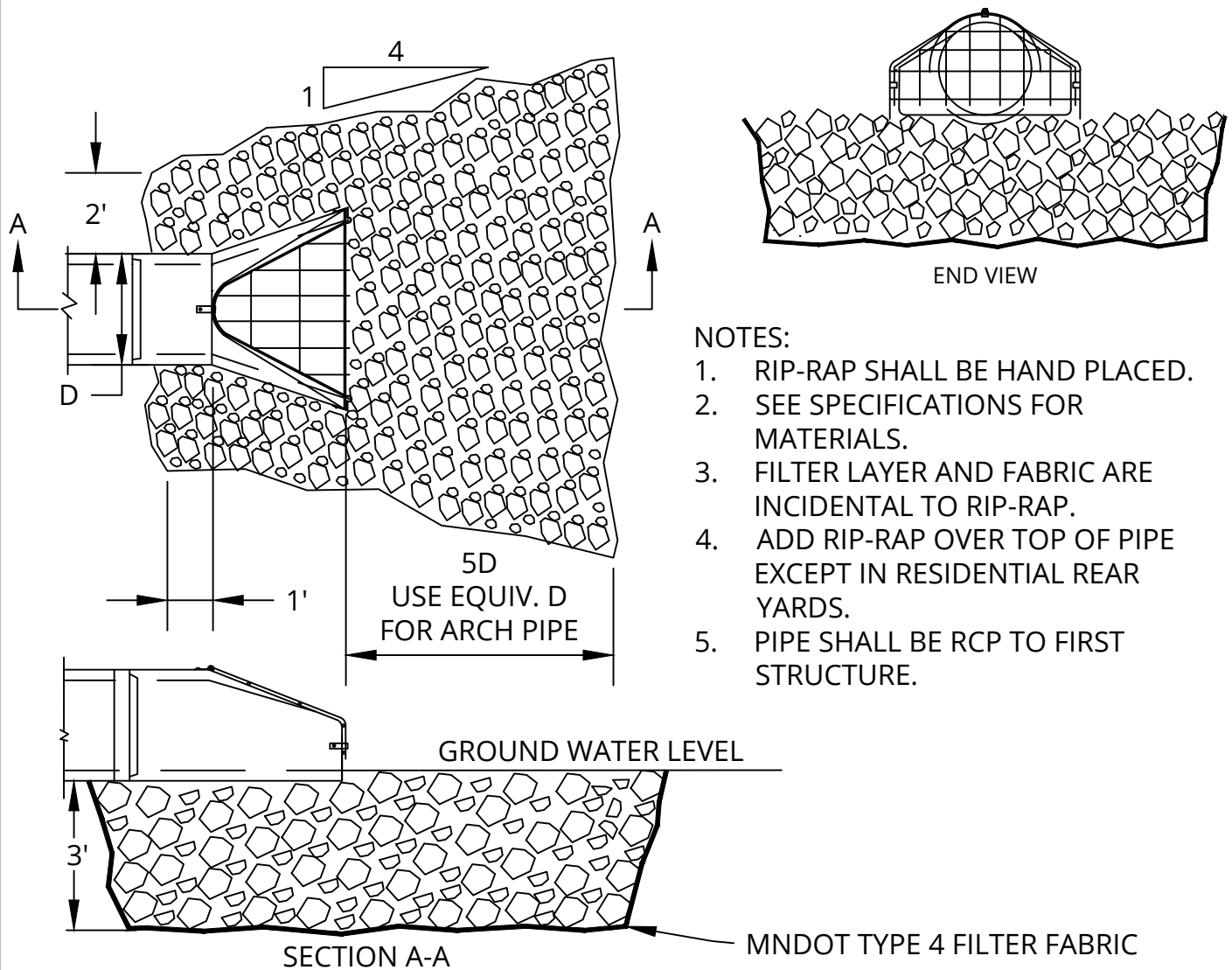


2019 STANDARD DETAIL PLATE

City of Blaine - Engineering Department

City of Blaine

10801 Town Square Drive NE, Blaine, Minnesota 55449 (763)785-6172 Fax(763)785-6139



RIP-RAP QUANTITIES (C.Y.)

PIPE DIA.	RIP-RAP	PIPE DIA.	RIP-RAP	PIPE DIA.	RIP-RAP
12"	6	24"	14	42"	35
15"	8	27"	17	48"	43
18"	9	30"	21	54"	50
21"	12	36"	28	60"	58

HEAVY DUTY TRASH GUARD REQUIRED ON:

- UPSTREAM APRONS
- DOWNSTREAM APRONS 27" OR LARGER IN MAINTAINED RESIDENTIAL AREAS
- NO TRASH GUARD ON DITCH CROSSINGS UNLESS OTHERWISE DIRECTED

RIP-RAP FOR OUTLET TO
WET DITCH OR BASIN

Plate No. SD-3

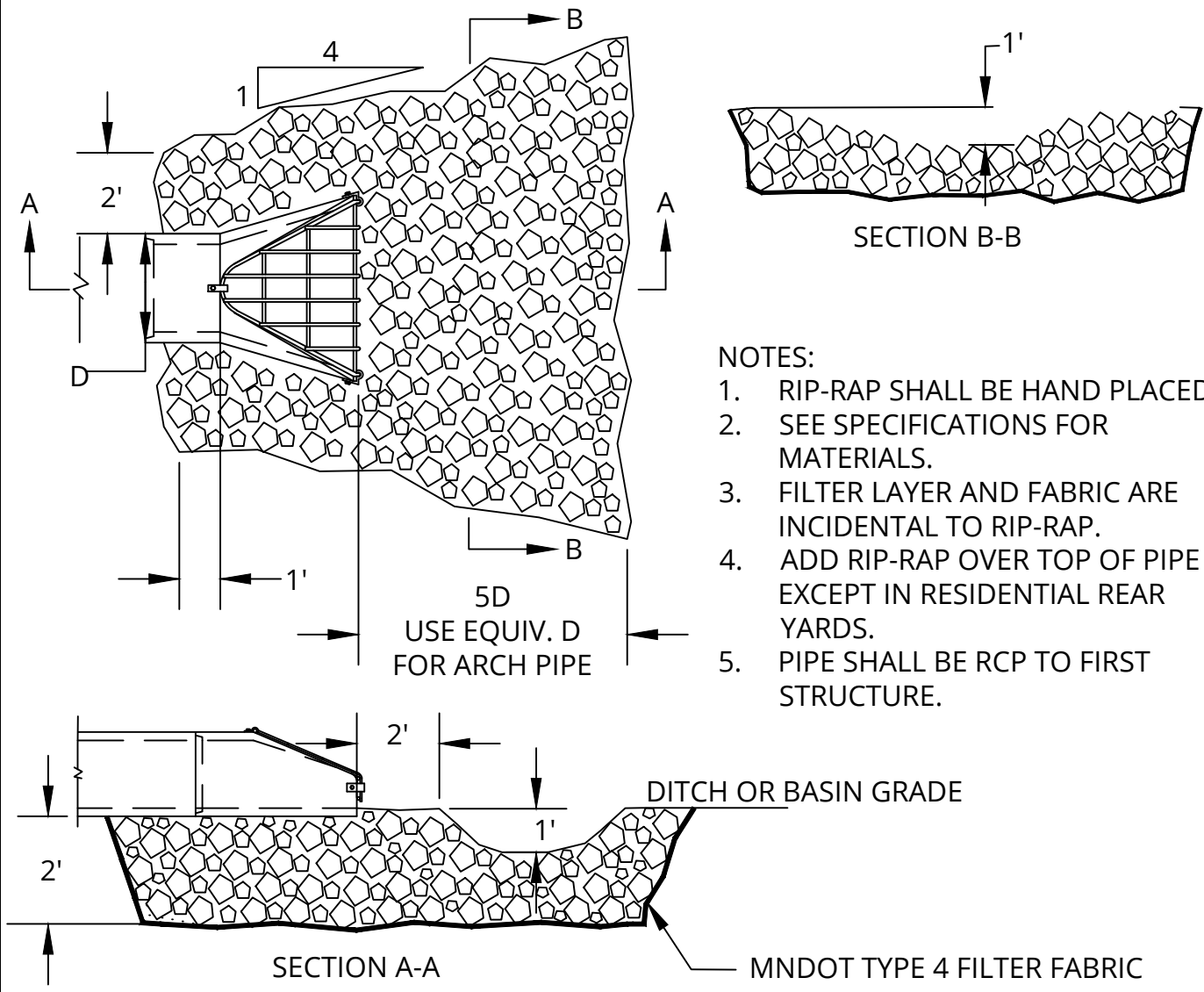


2019 STANDARD DETAIL PLATE

City of Blaine - Engineering Department

City of Blaine

10801 Town Square Drive NE, Blaine, Minnesota 55449 (763)785-6172 Fax(763)785-6139



- NOTES:
1. RIP-RAP SHALL BE HAND PLACED.
 2. SEE SPECIFICATIONS FOR MATERIALS.
 3. FILTER LAYER AND FABRIC ARE INCIDENTAL TO RIP-RAP.
 4. ADD RIP-RAP OVER TOP OF PIPE EXCEPT IN RESIDENTIAL REAR YARDS.
 5. PIPE SHALL BE RCP TO FIRST STRUCTURE.

RIP-RAP QUANTITIES (C.Y.)

PIPE DIA.	RIP-RAP	PIPE DIA.	RIP-RAP	PIPE DIA.	RIP-RAP
12"	4	24"	10	42"	23
15"	5	27"	12	48"	29
18"	6	30"	14	54"	34
21"	8	36"	19	60"	39

HEAVY DUTY TRASH GUARD REQUIRED ON:
 - UPSTREAM APRONS
 - DOWNSTREAM APRONS 27" OR LARGER IN MAINTAINED RESIDENTIAL AREAS
 - NO TRASH GUARD ON DITCH CROSSINGS UNLESS OTHERWISE DIRECTED

RIP-RAP FOR OUTLET TO DRY DITCH OR BASIN

Plate No SD-4

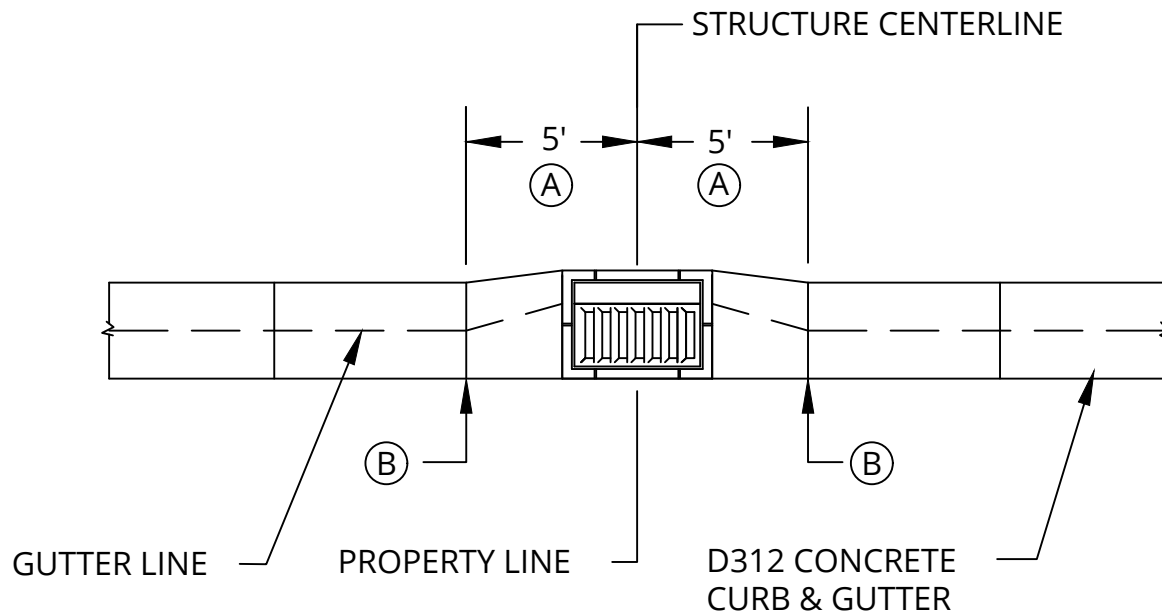


2019 STANDARD DETAIL PLATE

City of Blaine - Engineering Department

City of Blaine

10801 Town Square Drive NE, Blaine, Minnesota 55449 (763)785-6172 Fax(763)785-6139



- (A) - 5' TRANSITION FROM CENTER CASTING TO D312 CURBING.
- (B) - EXPANSION JOINT.

CASTING SCHEDULE

STRUCTURE TYPE	NEENAH CASTING TYPE
MANHOLE (DIA. VARIES)	R-1733 W/ PLATEN LID
CATCH BASIN (DIA. VARIES)	R-3067-V (SEE BLAINE PLATE SD-2)
24" X 36"	R-3067-V (SEE BLAINE PLATE SD-1)
24" X 36"	R-3290-A (DRIVEWAYS)
MNDOT TYPE "H"	R-3250-1 (B STYLE CURBING)
MNDOT TYPE "H"	R-3508-A2 (D312 STYLE CURBING)
MNDOT TYPE "H"	R-2577-1 TYPE C GRATE (OPEN SPACES)

NOTES:

1. IF CATCHBASIN IS NOT LOCATED ON PROPERTY LINE, DO NOT USE 24" X 36" STRUCTURE.
2. CATCH BASIN CASTINGS SHALL BE R-3067-V VANE GRATE FOR FLOW THRU AND BI-DIRECTIONAL R-3067-VB VANE GRATE IN SAG LOCATIONS.

CATCH BASIN/CURBING & CASTING SCHEDULE

Plate No. SD-5



2019 STANDARD DETAIL PLATE

City of Blaine - Engineering Department

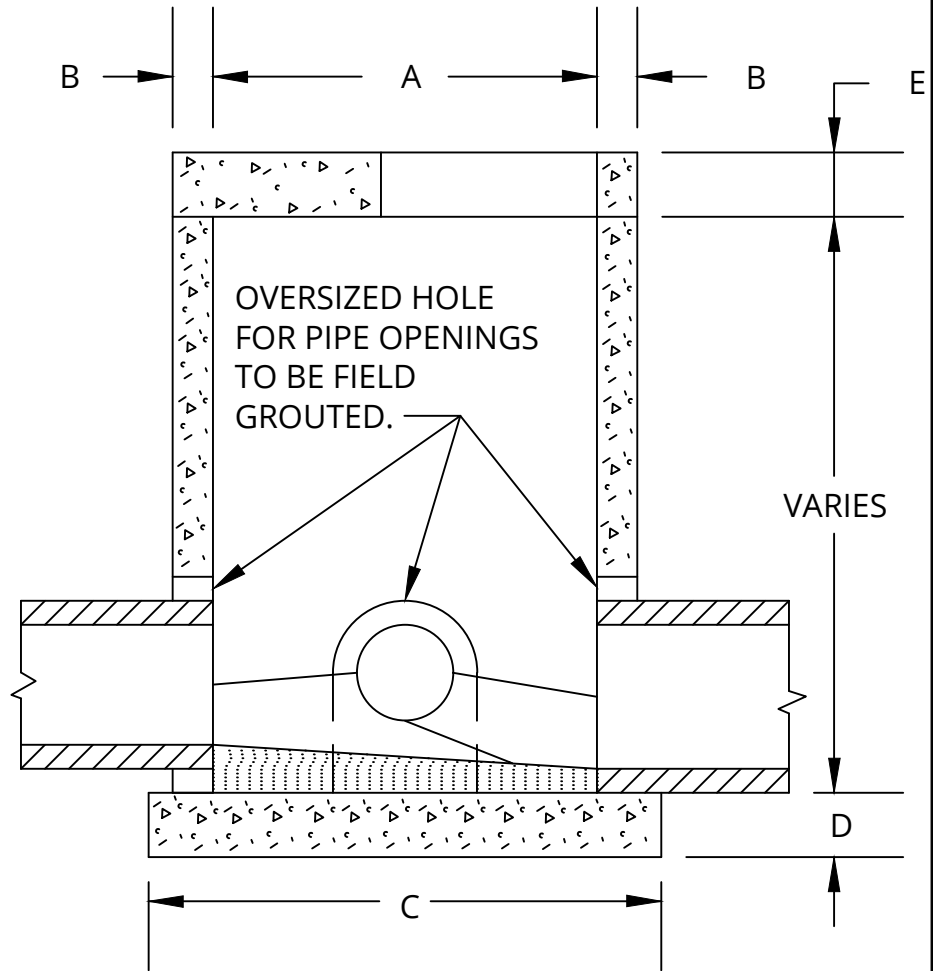
City of Blaine

10801 Town Square Drive NE, Blaine, Minnesota 55449 (763)785-6172 Fax(763)785-6139

NOTES:

1. 54" THRU 120" DIA. STRUCTURES ARE MANUFACTURED WITH BELL END FACING DOWN.
2. STRUCTURES ARE MANUFACTURED IN ACCORDANCE WITH ASTM C-478 AND MNDOT STANDARD PLATE 4005 WITH RUBBER GASKET JOINTS.
3. REFER TO BLAINE DETAIL MI-3 FOR CASTING, ADJUSTING RINGS, AND STEPS.
4. PROVIDE MORTAR FILLETS TO FIT THE BOTTOM PORTION OF PIPE TO DIRECT FLOW TO OUTLET HALF-WAY UP PIPE MINIMUM.

5. COVER SLAB DESIGN VARIES WITH CASTING.
6. REINFORCING STEEL SHALL BE PER ASTM C-478 AND MNDOT PLATE 4005.



A	B	C	D	E
48"	5"	64"	8"	8"
54"	5.5"	72"	8"	8"
60"	6"	78"	8"	8"
66"	6.5"	85"	8"	8"
72"	7"	92"	8"	8"
78"	7.5"	100"	8"	8"
84"	8"	106"	8"	8"
90"	8.5"	114"	8"	8"
96"	9"	120"	8"	8"
102"	9.5"	127"	12"	8"
108"	10"	132"	12"	12"
120"	10"	146"	12"	12"

STANDARD STORM SEWER CATCH BASIN/MANHOLE & MANHOLE

Plate No. SD-6

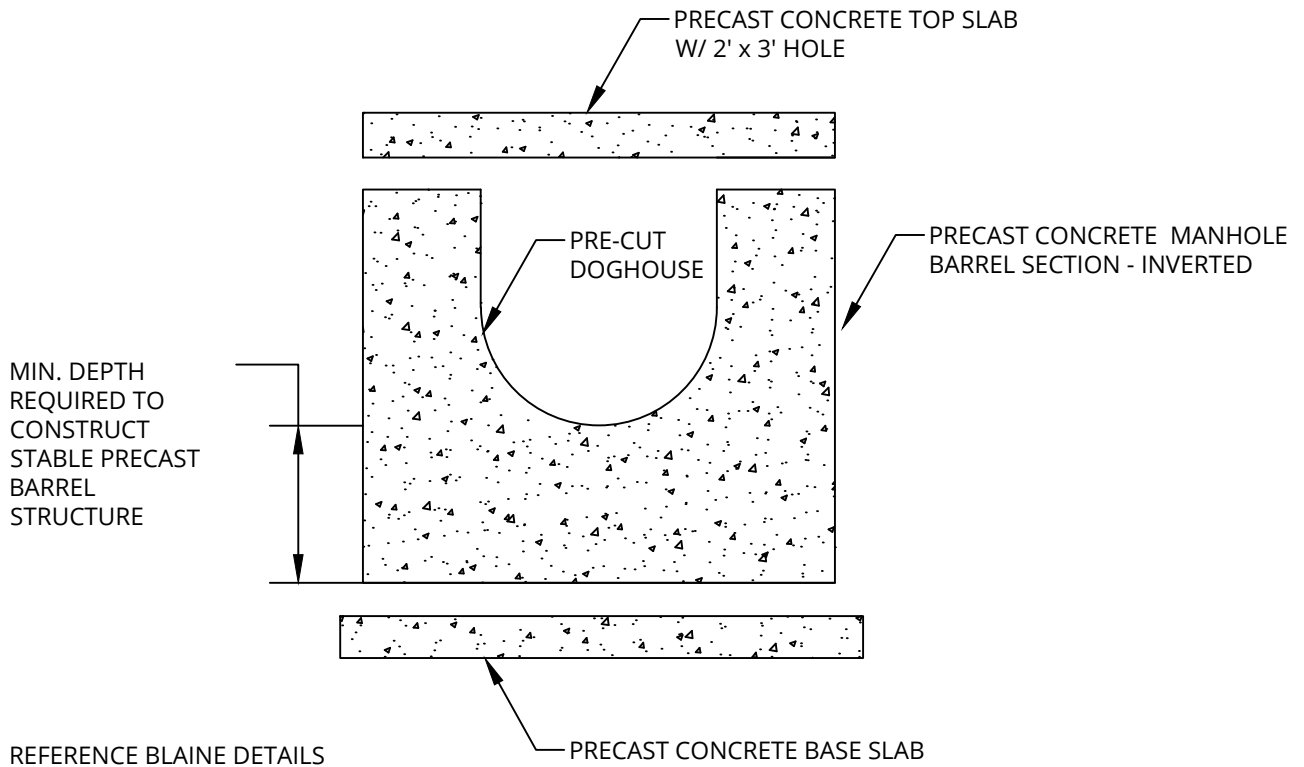


2019 STANDARD DETAIL PLATE

City of Blaine - Engineering Department

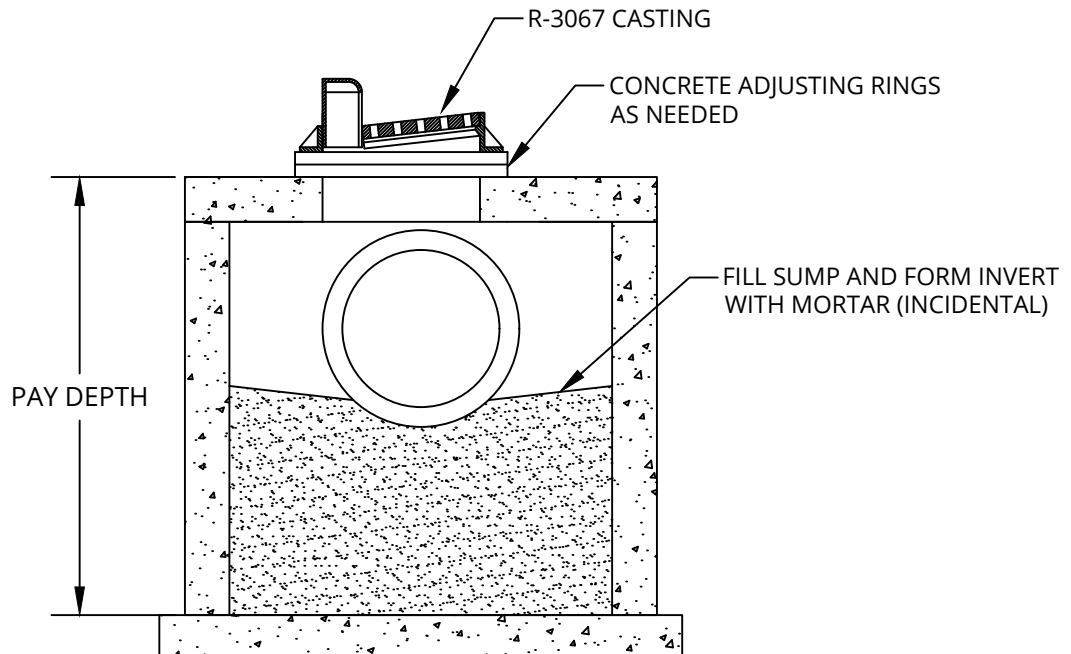
City of Blaine

10801 Town Square Drive NE, Blaine, Minnesota 55449 (763)785-6172 Fax(763)785-6139



REFERENCE BLAINE DETAILS
MI-3 AND SD-6 FOR
ADDITIONAL CASTING AND
MANHOLE CONSTRUCTION
REQUIREMENTS.

PRECAST COMPONENTS



ASSEMBLED STRUCTURE

SHALLOW DEPTH CATCH BASIN MANHOLE

Plate No. SD-7



2019 STANDARD DETAIL PLATE

City of Blaine - Engineering Department

City of Blaine

10801 Town Square Drive NE, Blaine, Minnesota 55449 (763)785-6172 Fax(763)785-6139